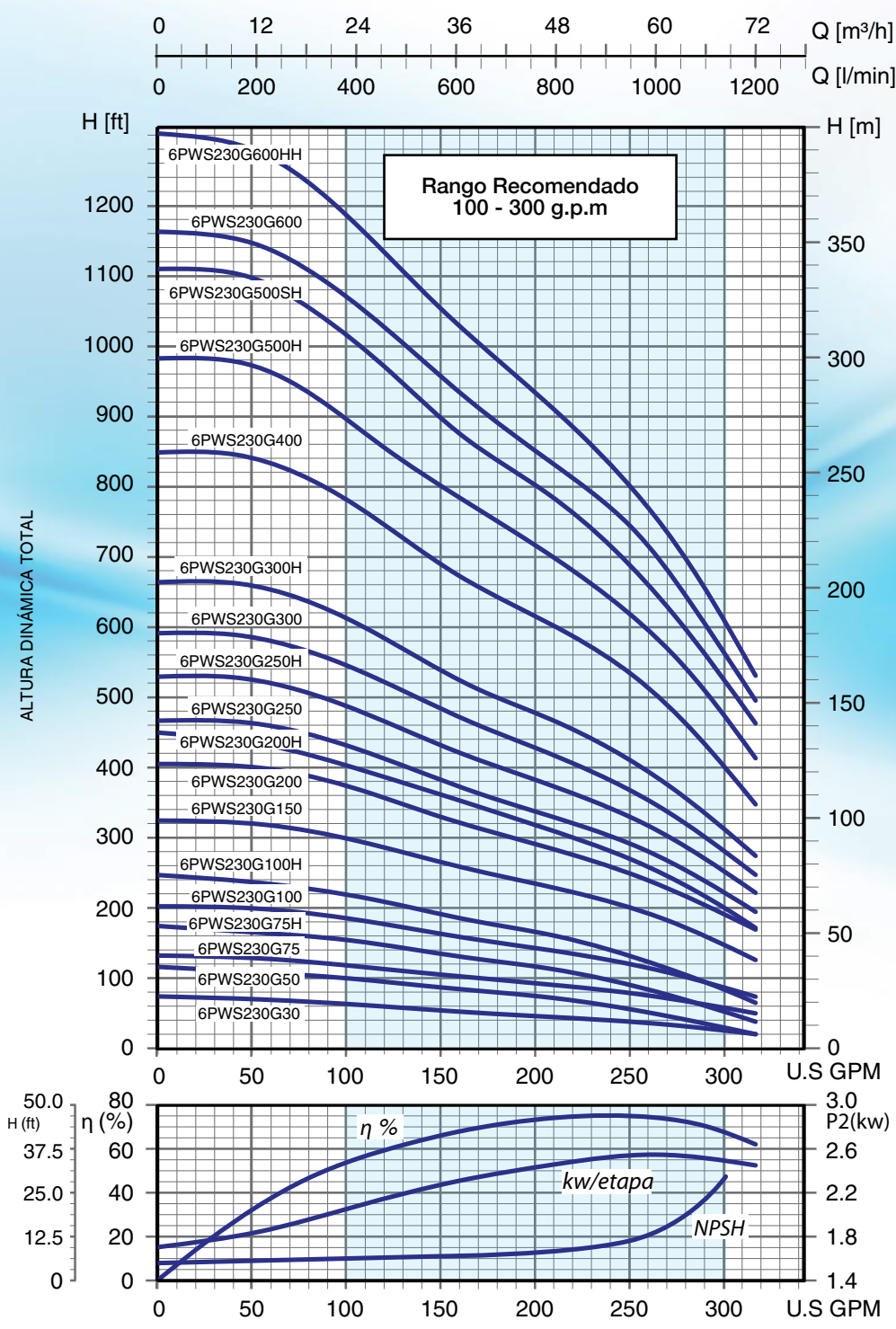
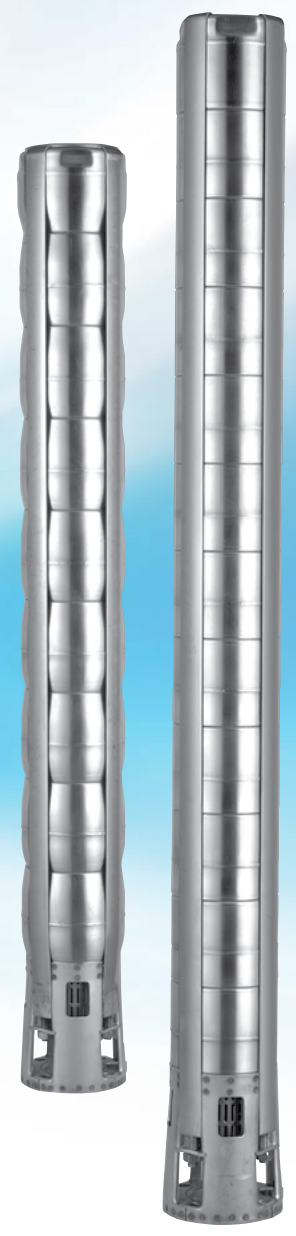




Curvas de Rendimiento - 6PWS230G



DESCARGA
3" or 4"

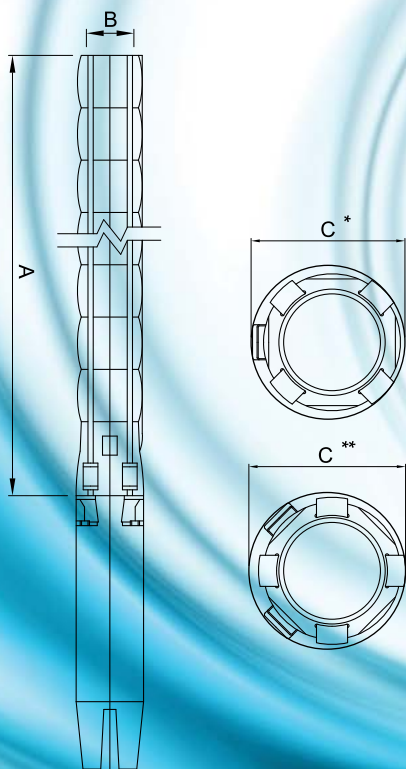


CAUDAL

Serie 230 gpm

Tabla de Selección - 6PWS230G

MODELO	ETAPAS	MOTOR		Q = CAUDAL													
				l/min		189		378		567		756		945		1134	
		gpm		50		100		150		200		250		300			
		KW	HP	H = ALTURA TOTAL EN METROS / ALTURA TOTAL EN PIES													
M	FT			M	FT	M	FT	M	FT	M	FT	M	FT	M	FT		
6PWS230G30	1	2.2	3	23.2	76	21.3	70	18.9	62	16.8	55	13.7	45	12.2	40	7.6	25
6PWS230G50	2	3.7	5	36.0	118	31.1	102	30.5	100	25.9	85	22.9	75	17.7	58	9.1	30
6PWS230G75	2	5	7.5	38.4	126	39.6	130	36.0	118	32.0	105	29.0	95	24.4	80	15.2	50
6PWS230G75H	3	5	7.5	53.4	175	51.8	170	47.3	155	41.2	135	36.6	120	27.4	90	18.3	60
6PWS230G100	3	7.5	10	61.6	202	61.0	200	55.5	182	48.8	160	42.7	140	36.6	120	24.4	80
6PWS230G100H	4	7.5	10	73.8	242	72.6	238	67.1	220	57.9	190	50.3	165	39.6	130	23.8	78
6PWS230G150	5	11	15	98.2	322	97.6	320	91.5	300	80.8	265	72.6	238	61.0	200	44.2	145
6PWS230G200	6	15	20	122.3	401	122.0	400	112.8	370	100.6	330	88.4	290	74.7	245	57.9	190
6PWS230G200H	7	15	20	137.2	450	134.1	440	122.6	402	109.8	360	97.0	318	81.7	268	61.0	200
6PWS230G250	7	18.5	25	141.8	465	140.9	462	131.1	430	115.9	380	103.0	338	88.4	290	67.1	220
6PWS230G250H	8	18.5	25	161.6	530	156.1	512	147.9	485	131.1	430	115.9	380	100.6	330	76.2	250
6PWS230G300	9	22	30	180.5	592	177.4	582	165.2	542	146.3	480	131.1	430	112.2	368	85.4	280
6PWS230G300H	10	22	30	202.7	665	201.2	660	186.0	610	158.5	520	146.3	480	125.0	410	94.5	310
6PWS230G400	13	30	40	257.6	845	256.1	840	237.8	780	210.4	690	188.4	618	163.1	535	122.0	400
6PWS230G500H	15	37	50	298.8	980	295.7	970	274.4	900	243.9	800	218.9	718	189.0	620	143.3	470
6PWS230G500SH	17	37	50	338.4	1110	335.4	1100	310.4	1018	274.4	900	243.9	800	208.8	685	158.5	520
6PWS230G600	18	45	60	355.2	1165	349.1	1145	326.2	1070	291.2	955	259.1	850	225.6	740	170.7	560
6PWS230G600HH	20	45	60	396.3	1300	390.2	1280	361.3	1185	320.1	1050	283.5	930	243.9	800	184.5	605



Dimensiones - 6PWS230G

MODELO	DIMENSIONES IN / MM						PESO NETO		
	A		B	C*		C**			
	IN	MM	IN	IN	MM	IN	MM	LBS	KG
6PWS230G30	15.08	383	NPT 3" or 4"	5.75	146	5.83	148	15.25	6.9
6PWS230G50	19.53	496	NPT 3" or 4"	5.75	146	5.83	148	20.33	9.2
6PWS230G75	19.53	496	NPT 3" or 4"	5.75	146	5.83	148	20.33	9.2
6PWS230G75H	23.98	609	NPT 3" or 4"	5.75	146	5.83	148	25.42	11.5
6PWS230G100	23.98	609	NPT 3" or 4"	5.87	149	5.98	152	25.42	11.5
6PWS230G100H	28.43	722	NPT 3" or 4"	5.87	149	5.98	152	30.28	13.7
6PWS230G150	32.87	835	NPT 3" or 4"	5.87	149	5.98	152	35.36	16
6PWS230G200	37.32	948	NPT 3" or 4"	5.87	149	5.98	152	40.44	18.3
6PWS230G200H	41.77	1061	NPT 3" or 4"	5.87	149	5.98	152	45.53	20.6
6PWS230G250	41.77	1061	NPT 3" or 4"	5.87	149	5.98	152	45.53	20.6
6PWS230G250H	46.22	1174	NPT 3" or 4"	5.87	149	5.98	152	50.61	22.9
6PWS230G300	50.67	1287	NPT 3" or 4"	5.87	149	5.98	152	55.47	25.1
6PWS230G300H	55.12	1400	NPT 3" or 4"	5.87	149	5.98	152	60.55	27.4
6PWS230G400	68.46	1739	NPT 3" or 4"	5.87	149	5.98	152	75.80	34.3
6PWS230G500H	77.36	1965	NPT 3" or 4"	5.87	149	5.98	152	85.75	38.8
6PWS230G500SH	86.26	2191	NPT 3" or 4"	5.87	149	5.98	152	95.91	43.4
6PWS230G600	90.71	2304	NPT 3" or 4"	5.87	149	5.98	152	101.00	45.7
6PWS230G600HH	99.61	2530	NPT 3" or 4"	5.87	149	5.98	152	110.94	50.2

C* : Diámetro máximo de la bomba cuando es ensamblada con un cable de alimentación
 C** : Diámetro máximo de la bomba cuando es ensamblada con dos cables de alimentación