

SPECIFICATIONS	Model	HS3.75S									
		HS-series 0.75kW, 1-phase									
<p>Type of Pump Submersible drainage pump for construction and foundation works, floodwater drainage, etc.</p> <p>Type of Fluid Stormwater, groundwater, wash water, and sand-carrying water</p> <p>Temperature: 0 to 40°C</p> <p>Discharge Bore & Connection 80mm, Hose Coupling (50mm discharge bore available on special request)</p> <p>Motor Output 0.75kW</p> <p>Power Supply Single-phase</p> <p>Starting Method Capacitor Run</p> <p>Motor Continuous-duty rated, dry-type induction motor</p> <p>Insulation Class: E Degree of Protection: IP68</p> <p>No. of Poles & Speed (Synchronous Speed) 2-pole, 3000/3600min⁻¹ (50/60Hz)</p> <p>Power Supply Voltages & Rated Currents</p> <table border="0"> <tr> <td>50Hz</td> <td>60Hz</td> </tr> <tr> <td>220V – 4.9A</td> <td>110V – 10.0A</td> </tr> <tr> <td>230V – 4.8A</td> <td>220V – 5.1A</td> </tr> <tr> <td>240V – 4.7A</td> <td></td> </tr> </table> <p>Power Cable Sheath: PVC Standard Length: 5m 200 to 240V supply: 1 x 3 x 1.25mm², O.D. 10.1mm 100 to 120V supply: 1 x 3 x 2.0mm², O.D. 10.9mm</p> <p>Dry Weight (excluding cable) 16.8kg</p>		50Hz	60Hz	220V – 4.9A	110V – 10.0A	230V – 4.8A	220V – 5.1A	240V – 4.7A		<p>Impeller Vortex impeller deigned for “high-gap structure”, made of urethane rubber</p> <p>Solids Passage 50Hz – ϕ7mm 60Hz – ϕ7mm</p> <p>Agitator Sintered alloy</p> <p>Cable Entry with Anti-Wicking Block Watertight cable entry with strain-relief device. The anti-wicking block prevents water incursion due to capillary action should the power cable be damaged or the end submerged.</p> <p>Bearing Permanently lubricated, deep-groove, double-shielded C3 ball bearings</p> <p>Shaft 403 stainless steel</p> <p>Shaft Seal (Mechanical Seal) Furnished with a double-face mechanical seal located in oil chamber. Both upper and lower seal faces always run in a clean environment.</p> <p>Upper Seal Face: Ceramic + Carbon Lower Seal Face: SiC + Ceramic</p> <p>OIL LIFTER (Patented) Equipped in oil chamber. It forcibly supplies lubricating oil to the mechanical seal and continues to supply the oil to the upper seal faces even if lubricant falls below the rated volume.</p> <p>Type of Lubricating Oil & Volume Turbine Oil (ISO VG32), 160ml</p> <p>Motor Protection Device A circle thermal protector built in the motor housing. Directly cuts the motor circuit if excessive heat builds up or an overcurrent condition occurs in the motor.</p>	
50Hz	60Hz										
220V – 4.9A	110V – 10.0A										
230V – 4.8A	220V – 5.1A										
240V – 4.7A											

NO. A-20954-2

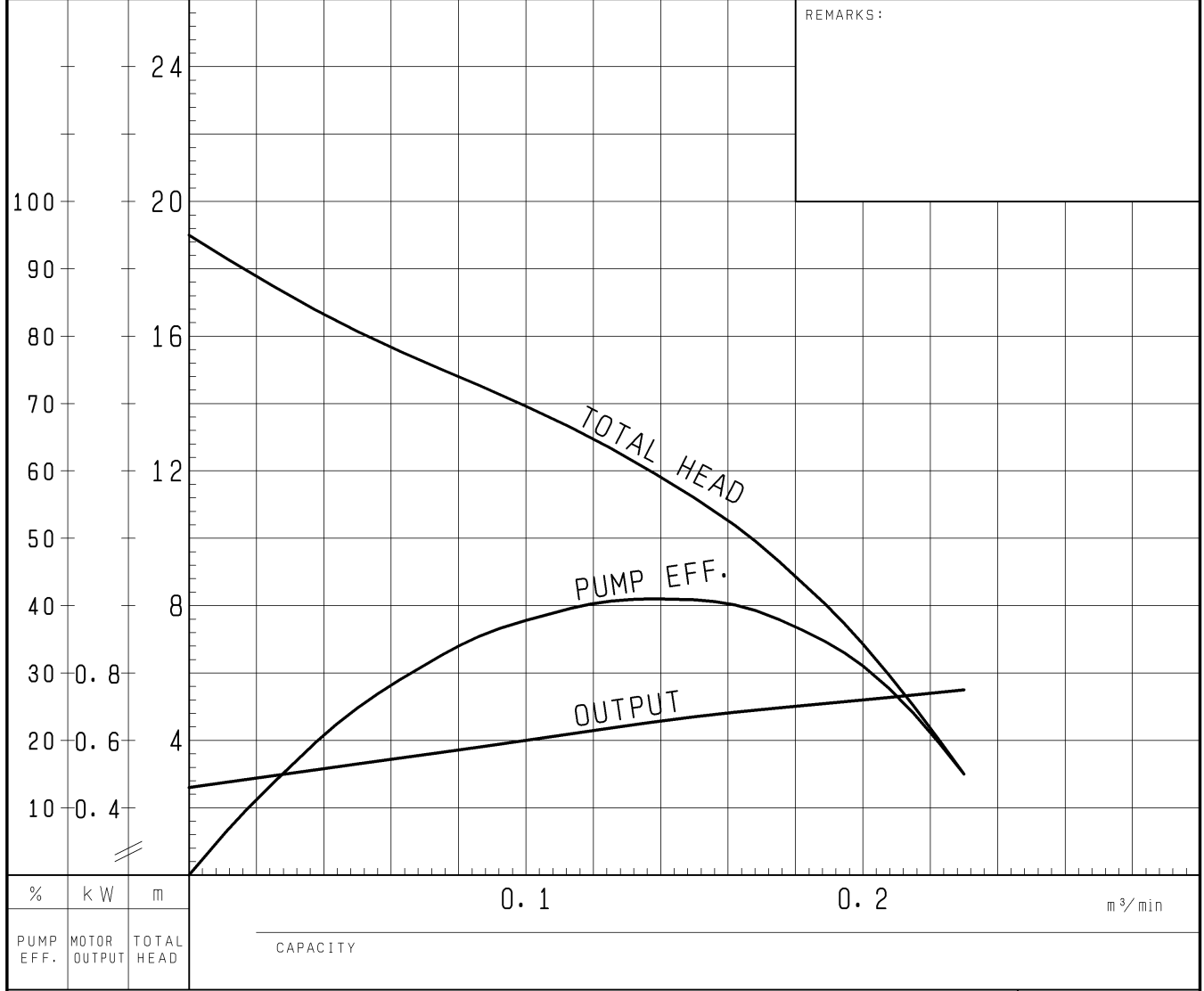
PUMP PERFORMANCE CURVES

TYPE Submersible Portable Dewatering Pump	MODEL HS3.75S -62 HSZ3.75S -62	FREQUENCY 60 Hz
--	-----------------------------------	--------------------

CUSTOMER'S NAME _____

EQUIPMENT TITLE _____ NO. _____

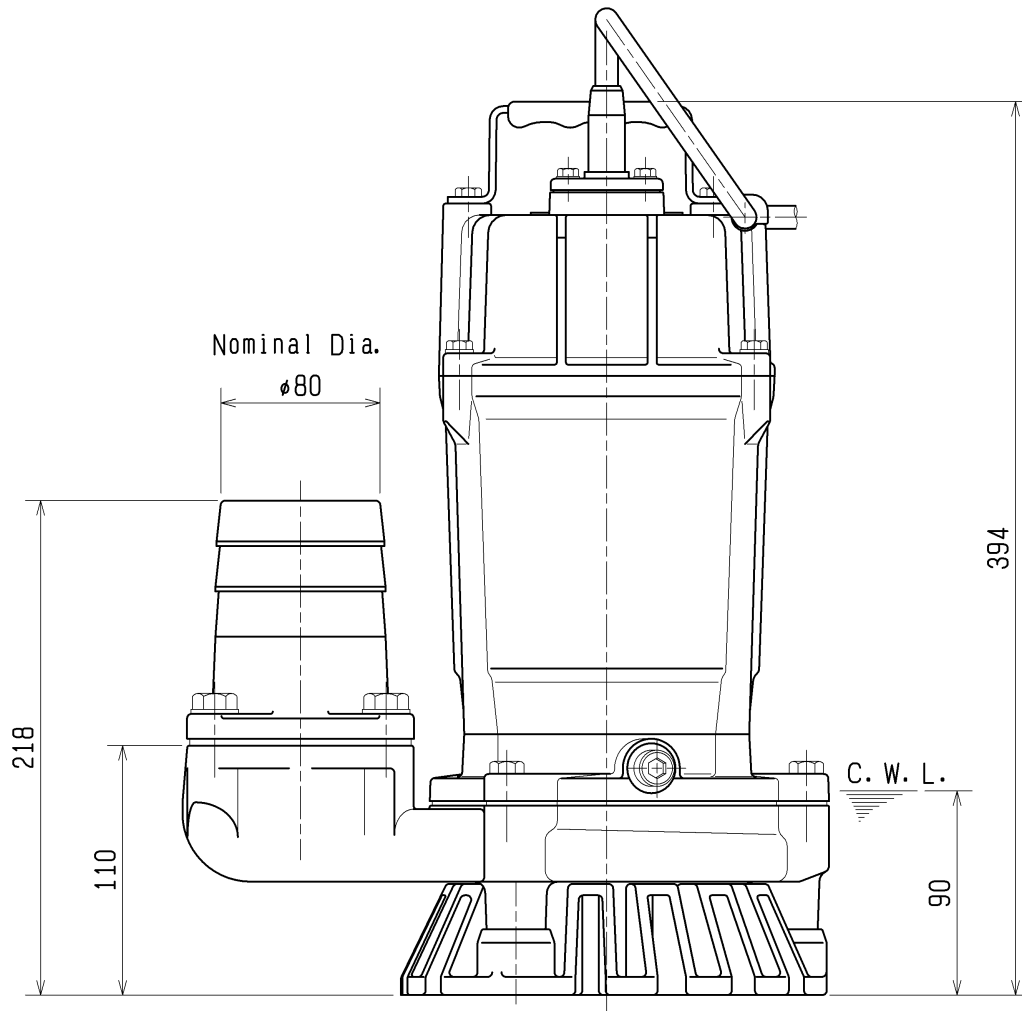
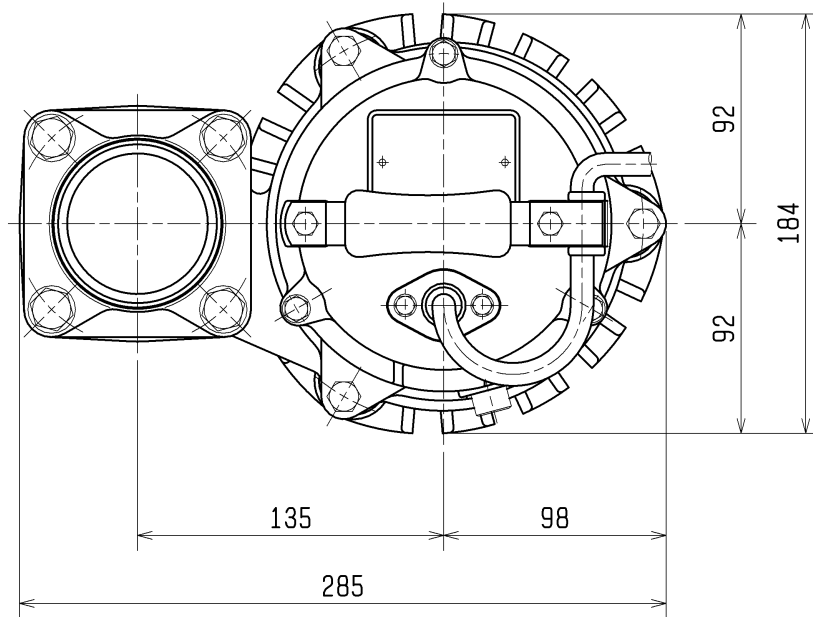
	STANDARD SPECIFICATIONS	REQUIRED SPECIFICATIONS
DISCHARGE BORE	80 mm	mm
TOTAL HEAD	MAX. 19 m	m
CAPACITY	MAX. 0.23 m ³ /min	m ³ /min
MOTOR OUTPUT	0.75 kW	kW
PHASE x VOLTAGE	1 ϕ x V	ϕ x V
CURRENT	A	A
POLES / REVOLUTION	2 P / S. S. 3600 min ⁻¹	P / min ⁻¹
STARTING METHOD	CAPACITOR MOTOR	
INSULATION CLASS	E	



TSURUMI MFG. CO., LTD.

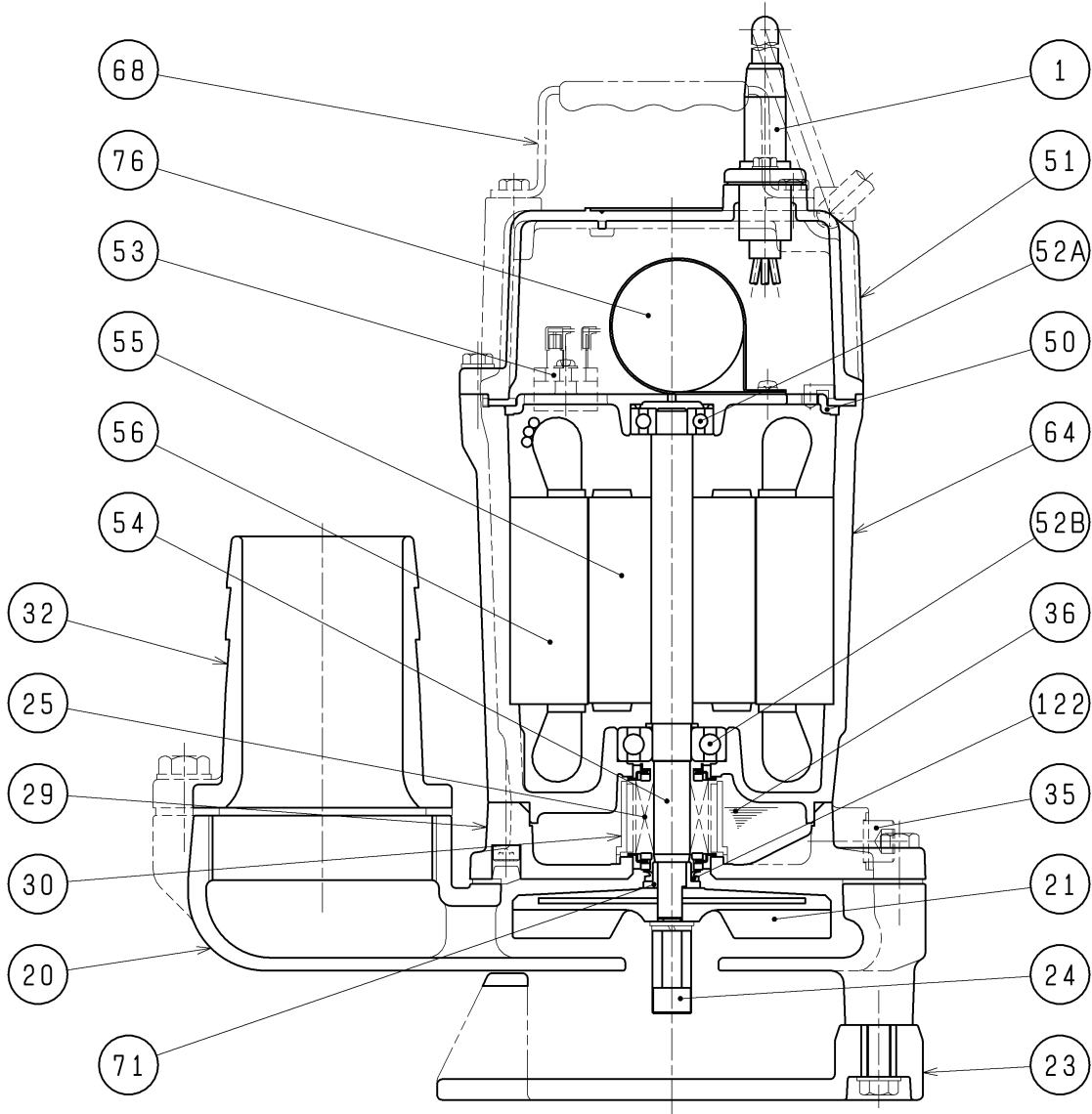
DIMENSION DRAWING		No.	No. A-20956-2
TYPE	Submersible Portable Dewatering Pump	MODEL	HS3.75S -52/62

Approximate Weight (※)
16.8kg
※excluding cable



C.W.L. :Continuous running Water Level

SECTIONAL DRAWING		No.	No. A-20964-2
TYPE	Submersible Portable Dewatering Pump	MODEL	HS3.75S -52/62



REQ. SPECIFICATION	

※ the wetted part

No.	DESCRIPTION	Q'TY	MATERIAL / NOTE	No.	DESCRIPTION	Q'TY	MATERIAL / NOTE
1	Cable	1	PVC Sheath	52A	Upper Bearing	1	6201ZC3
20	Pump Casing	1	Ductile Iron Casting	52B	Lower Bearing	1	6302ZC3
21	Impeller	1	Urethane Rubber	53	Motor Protector	1	
23	Strainer Stand	1	Vinyl Chloride	54	Shaft	1	Stainless Steel 403(※)
24	Agitator	1	Sintered Alloy	55	Rotor	1	
25	Mechanical Seal	1	W-14VC	56	Stator	1	
29	Oil Casing	1	Ductile Iron Casting	64	Motor Frame	1	Aluminium Die Casting
30	Oil Lifter	1	Plastic	68	Handle	1	Steel Sheet & Natural Rubber
32	Hose Coupling	1	Aluminium Die Casting	71	Shaft Sleeve	1	Stainless Steel 304
35	Oil Plug	1	Stainless Steel 304	76	Capacitor	1	
36	Lubricant		Turbine Oil (ISO VG32)	122	V-ring	1	Nitrile Butadiene Rubber
50	Motor Bracket	1	Aluminium Die Casting				
51	Motor Head Cover	1	Aluminium Die Casting				