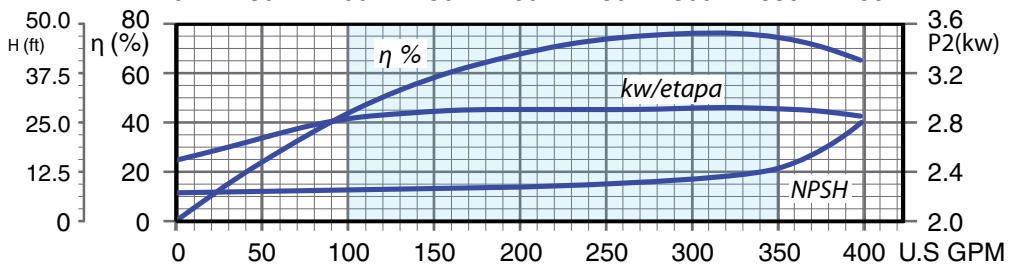
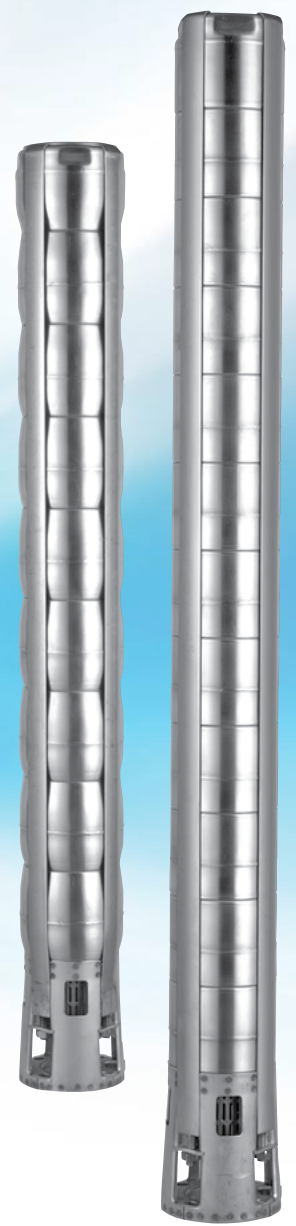
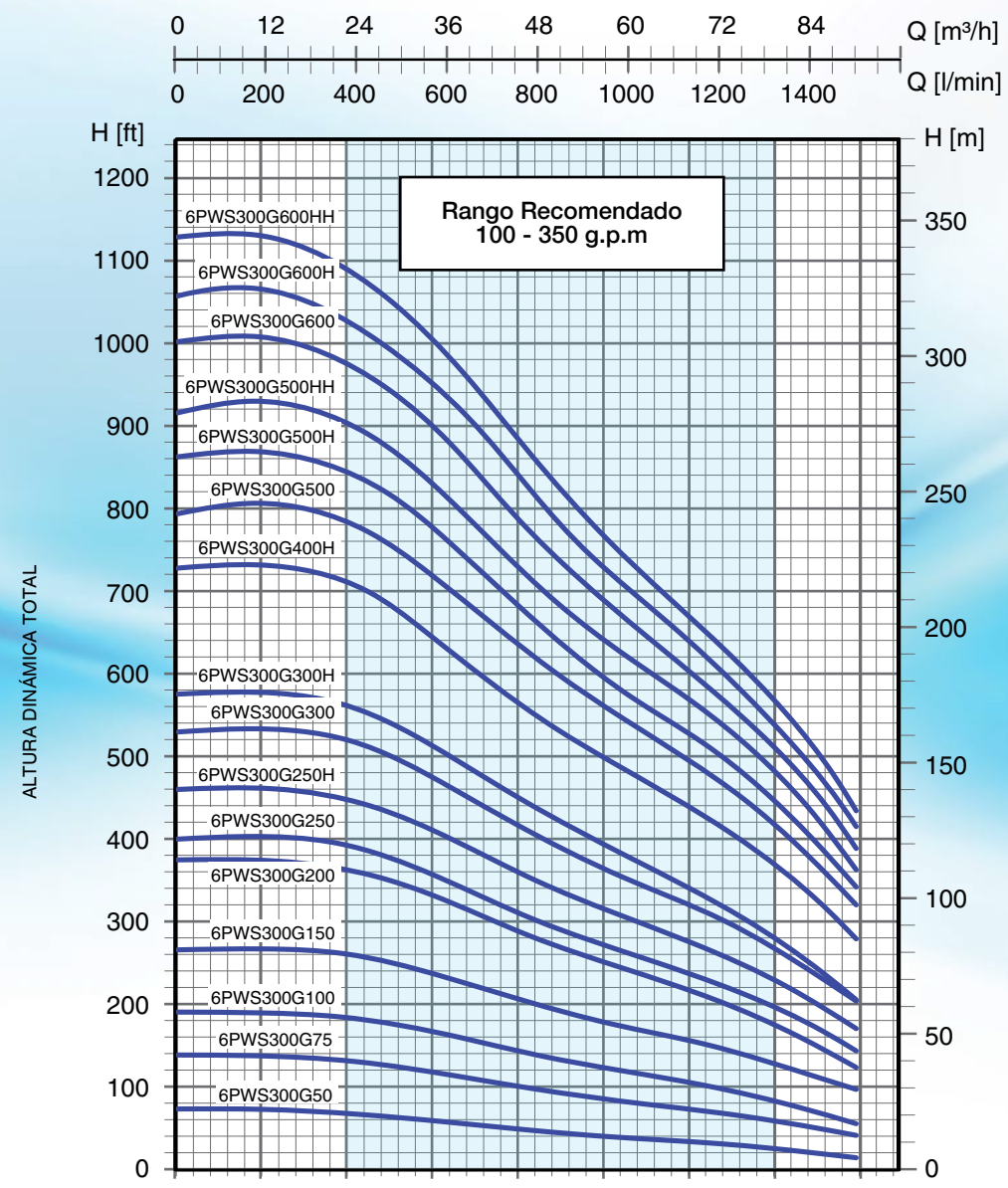




6PWS300G Curvas de Rendimiento

DESCARGA
3" or 4"



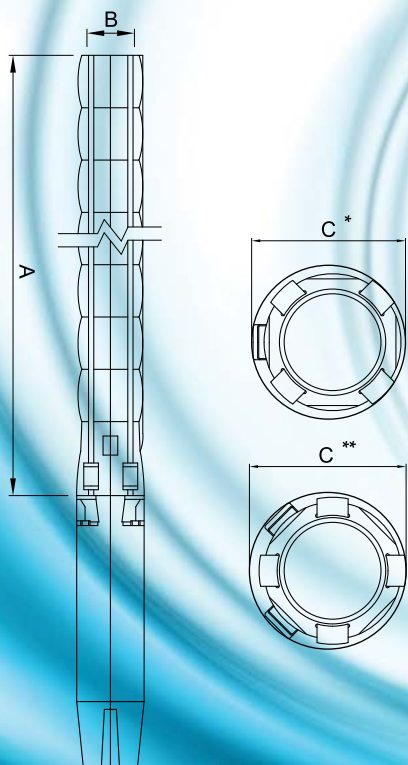
CAUDAL



Serie 300 gpm

Tabla de Selección - 6PWS300G

MODELO	ETAPAS	MOTOR		Q = CAUDAL																	
				l/min 0		189	378	567	756	945	1134	1323	1512								
		gpm 0		50	100	150	200	250	300	350	400										
		KW	HP	H = ALTURA TOTAL EN METROS / ALTURA TOTAL EN PIES																	
M	FT			M	FT	M	FT	M	FT	M	FT	M	FT	M	FT	M	FT				
6PWS300G50	1	3.7	5	23	75	22	73	20	65	18	60	14	45	12	40	11	35	9	30	5	18
6PWS300G75	2	5.5	7.5	43	140	43	140	41	135	37	120	30	100	27	87	23	75	18	60	12	40
6PWS300G100	3	7.5	10	59	195	59	195	55	182	49	162	43	142	37	122	31	102	25	82	18	59
6PWS300G150	4	11	15	81	265	81	265	79	260	73	238	63	205	54	178	48	158	40	130	30	98
6PWS300G200	6	15	20	115	378	115	378	110	362	102	335	88	290	76	250	66	218	54	177	37	120
6PWS300G250	6	18.2	25	122	400	122	400	120	395	109	358	96	315	84	275	73	240	61	200	43	140
6PWS300G250H	7	18.2	25	140	460	140	460	136	445	125	410	110	360	94	308	85	278	70	230	52	170
6PWS300G300	8	22	30	160	525	160	525	159	520	145	475	128	420	110	362	98	320	81	265	61	200
6PWS300G300H	9	22	30	177	580	177	580	171	560	155	510	137	450	120	395	104	340	85	280	64	210
6PWS300G400	11	30	40	224	735	224	735	216	710	196	642	171	562	152	500	134	440	112	368	85	280
6PWS300G500	12	37	50	245	805	244	800	238	780	220	720	195	640	171	560	152	497	125	410	98	320
6PWS300G500H	13	37	50	277	910	276	905	257	842	238	780	207	680	181	595	157	514	128	420	104	340
6PWS300G500HH	14	37	50	285	935	284	930	274	900	249	817	218	715	195	640	175	575	146	480	110	360
6PWS300G600	15	45	60	308	1010	306	1005	298	978	274	900	239	783	212	695	183	600	155	510	116	380
6PWS300G600H	16	45	60	325	1065	323	1060	313	1025	290	950	256	840	223	730	195	640	165	540	128	420
6PWS300G600HH	17	45	60	347	1137	345	1130	334	1095	306	1005	270	885	236	775	206	675	175	575	134	440



Dimensiones - 6PWS300G

MODELO	DIMENSIONES IN / MM						PESO NETO		
	A		B	C*		C**			
	IN	MM	IN	IN	MM	IN	MM	LBS	KG
6PWS300G50	15.08	383	NPT 3" or 4"	5.75	146	5.83	148	15.25	6.9
6PWS300G75	19.53	496	NPT 3" or 4"	5.75	146	5.83	148	20.33	9.2
6PWS300G100	23.98	609	NPT 3" or 4"	5.87	149	5.98	152	25.42	11.5
6PWS300G150	28.43	722	NPT 3" or 4"	5.87	149	5.98	152	30.28	13.7
6PWS300G200	37.32	948	NPT 3" or 4"	5.87	149	5.98	152	40.44	18.3
6PWS300G250	37.32	948	NPT 3" or 4"	5.87	149	5.98	152	40.44	18.3
6PWS300G250H	41.77	1061	NPT 3" or 4"	5.87	149	5.98	152	45.53	20.6
6PWS300G300	46.22	1174	NPT 3" or 4"	5.87	149	5.98	152	50.61	22.9
6PWS300G300H	50.67	1287	NPT 3" or 4"	5.87	149	5.98	152	55.47	25.1
6PWS300G400	59.57	1513	NPT 3" or 4"	5.87	149	5.98	152	65.64	29.7
6PWS300G500	64.02	1626	NPT 3" or 4"	5.87	149	5.98	152	70.72	32
6PWS300G500H	68.46	1739	NPT 3" or 4"	5.87	149	5.98	152	75.80	34.3
6PWS300G500HH	72.91	1852	NPT 3" or 4"	5.87	149	5.98	152	80.67	36.5
6PWS300G600	77.36	1965	NPT 3" or 4"	5.87	149	5.98	152	85.75	38.8
6PWS300G600H	81.81	2078	NPT 3" or 4"	5.87	149	5.98	152	90.83	41.1
6PWS300G600HH	86.26	2191	NPT 3" or 4"	5.87	149	5.98	152	95.91	43.4

C* : Diámetro máximo de la bomba cuando es ensamblada con un cable de alimentación
 C** : Diámetro máximo de la bomba cuando es ensamblada con dos cables de alimentación