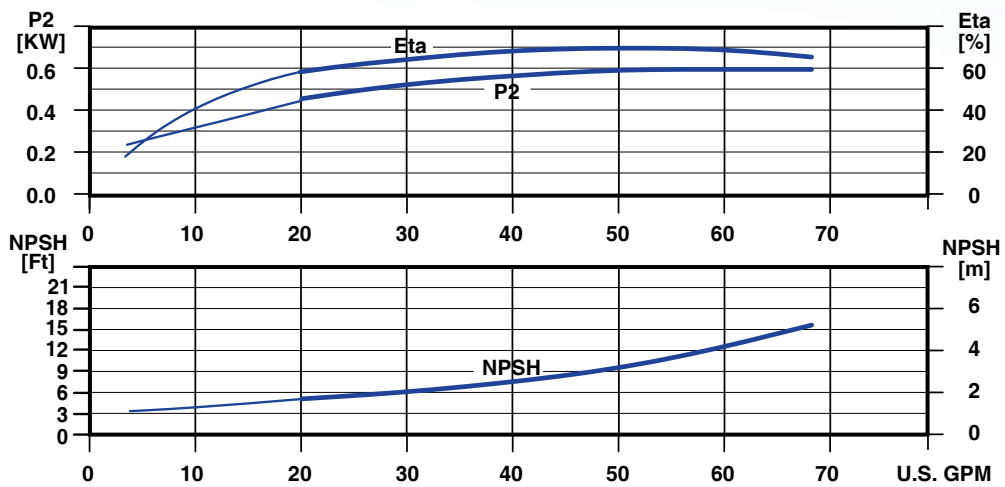
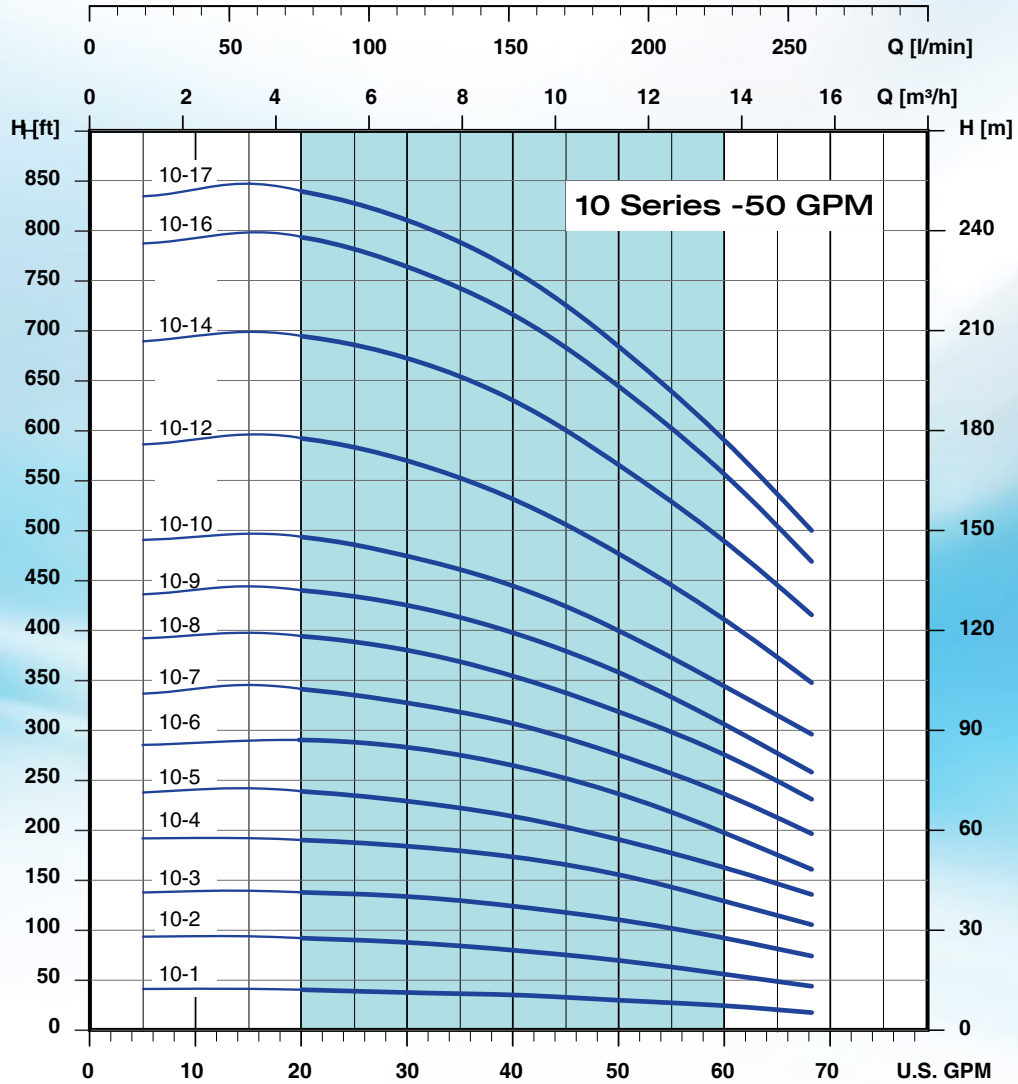
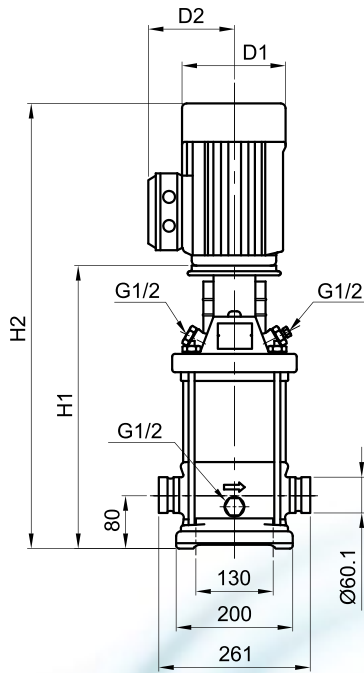




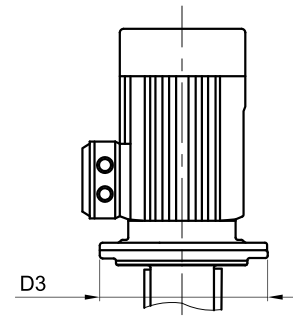
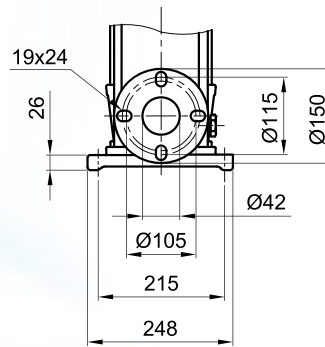
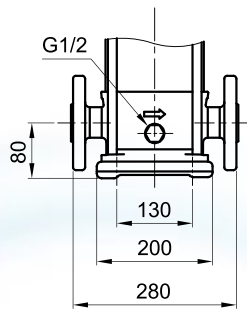
VPS 10 MOTOR IEC



Peso y Dimensiones



Flange (DIN) PN16-25 / DN40 (Standard)
 Flange (ANSI) Class150-300 / 1 1/2" (Special Order)

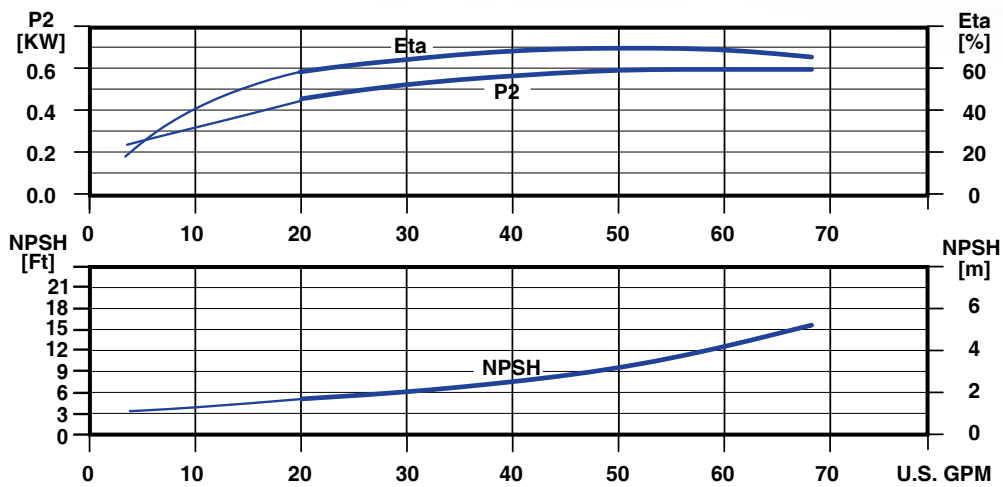
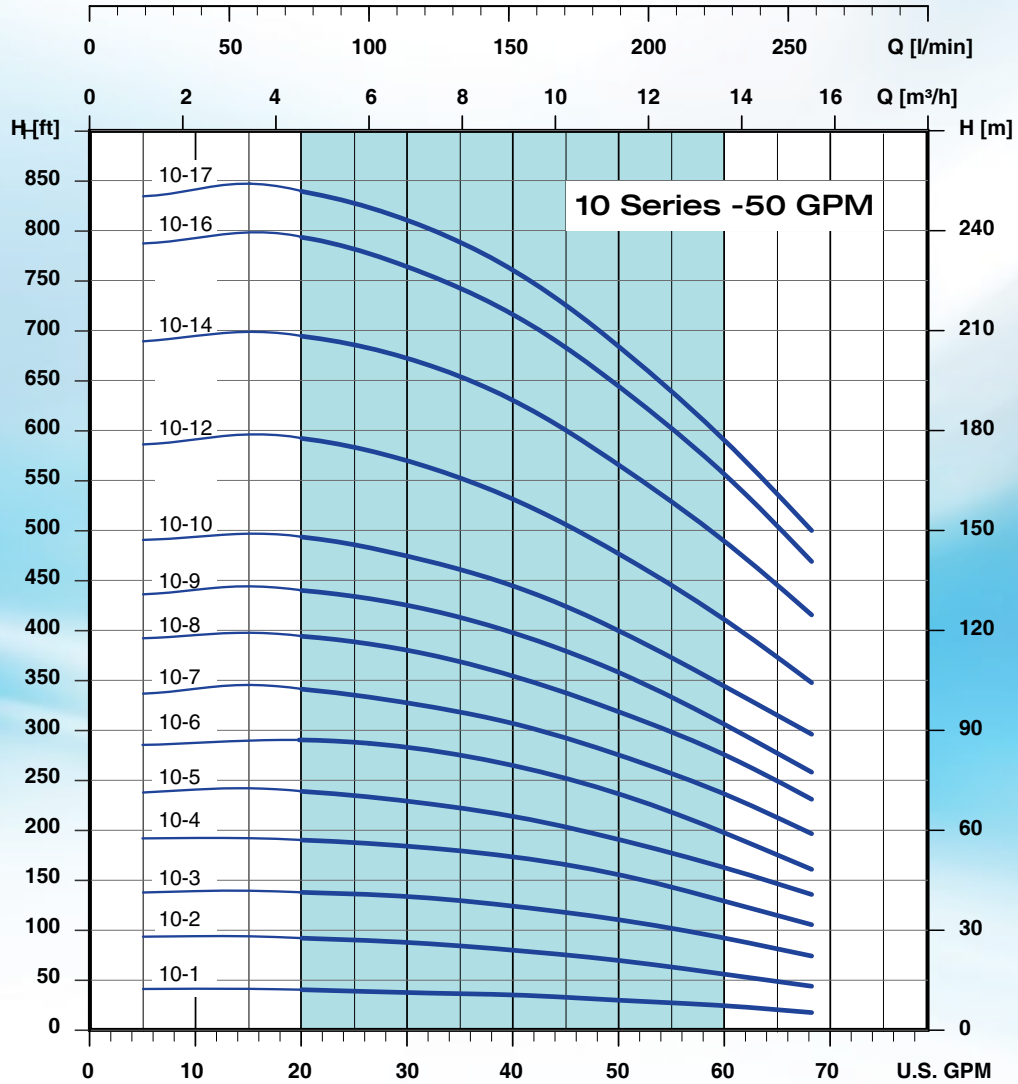


MODELO	HP	ACOPLE	DIMENSIONES Y PESO SERIE VPS - MOTORES IEC									PESO NETO	
			H1		H2		D1		D2				
			in	mm	in	mm	in	mm	in	mm	lbs	kg	
TRIFASICO													
VPS 10-3	1	80A	14 1/8	357	23 3/8	592	5 5/8	141	4 5/8	115	75	34	
VPS 10-3	2	90S	14 3/4	373	26 3/8	668	7	177	5 5/8	141	100	45	
VPS 10-3	3	90L	16	403	27 1/2	698	7	177	5 5/8	141	106	48	
VPS 10-4	4	100L	17 1/4	438	29 3/4	754	8	197	6	147	127	58	
VPS 10-5	4	100L	18 1/2	468	31	784	8	197	6	147	129	59	
VPS 10-6	5.5	112M	19 5/8	498	32 1/2	824	8 3/4	220	6 3/8	161	140	64	
VPS 10-7	7.5	132S	22 1/8	560	36 3/8	922	9 1/4	235	8	197	204	93	
VPS 10-8	7.5	132S	23 1/4	590	37 1/2	952	9 1/4	235	8	197	206	94	
VPS 10-9	7.5	132S	24 1/2	620	38 3/4	982	9 1/4	235	8	197	209	95	
VPS 10-10	10	132S	25 5/8	650	41 5/8	1055	9 1/4	235	8	197	224	102	
VPS 10-12	10	132S	28	710	44	1115	9 1/4	235	8	197	228	104	
VPS 10-14	15	160M	33 3/8	847	51	1292	10 5/8	269	8 1/2	215	303	137	
VPS 10-16	15	160M	35 3/4	907	53 1/4	1352	10 5/8	269	8 1/2	215	307	140	
VPS 10-17	15	160M	37	937	54 1/2	1382	10 5/8	269	8 1/2	215	310	141	

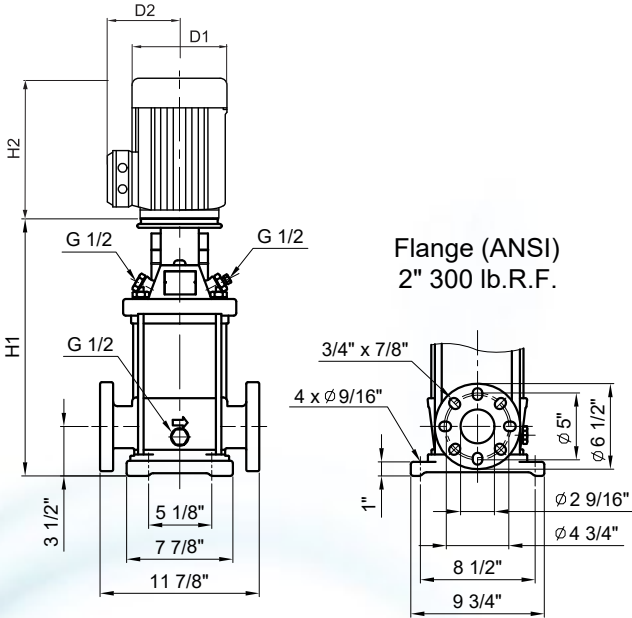
Todas las medidas son de referencia. Los valores podrán cambiar según el modelo del motor.



VPS 10 MOTOR NEMA



Peso y dimensiones



MODELO	HP	ACOPLE	MOTOR ODP	MOTOR TEFC	DIMENSIONES Y PESO SERIE VPS - MOTORES NEMA																PESO NETO		PESO NETO			
					H1		H2		H2		D1		D1		D2		D2		D3		D3		ODP	TEFC	ODP	TEFC
					HIDRAULICA		ODP		TEFC		ODP		TEFC		ODP		TEFC		ODP		TEFC					
					in	mm	in	mm	in	mm	in	mm	in	mm	in	mm	in	mm	in	mm	in	mm	lbs	kg	lbs	kg
MONOFASICO																										
VPS 10-1	0.75	56C	MVB 07F16O	MVB 07F16T	15	380	10 5/8	270	10	249	6 1/4	158	6 1/4	158	5 1/8	129	5 1/4	132	6	148	6	148	95	44	85	39
VPS 10-2	1.5	56C	MVB 15F16O	MVB 15F16T	15	380	11 1/4	284	11 1/8	281	7 1/4	183	7 1/4	183	5 3/4	145	5 3/4	147	6 1/2	165	6 1/2	165	115	53	103	47
VPS 10-3	3	182TC	MVB 30F16O	MVB 30F16T	17 1/4	436	12 1/2	316	13 3/4	348	9	227	8 5/8	219	5 5/8	143	7	175	9 1/8	230	9	226	126	58	138	63
VPS 10-4	3	182TC	MVB 30F16O	MVB 30F16T	18 3/8	467	12 1/2	316	13 3/4	348	9	227	8 5/8	219	5 5/8	143	7	175	9 1/8	230	9	226	128	59	140	64
VPS 10-5	5	182TC	-	MVB 50C16T	19 5/8	497	-	-	15 3/8	389	-	-	8 5/8	219	-	-	7	175	-	-	9	226	-	-	161	74
VPS 10-6	5	182TC	-	MVB 50C16T	20 3/4	527	-	-	15 3/8	389	-	-	8 5/8	219	-	-	7	175	-	-	9	226	-	-	163	74
VPS 10-7	5	182TC	-	MVB 50C16T	21 1/4	540	-	-	15 3/8	389	-	-	8 5/8	219	-	-	7	175	-	-	9	226	-	-	189	86
VPS 10-12	10	213TC	-	MVB 100C16T	28 3/8	720	-	-	16 3/8	417	-	-	10 3/8	262	-	-	9 1/4	233	-	-	9 1/8	230	-	-	276	126
VPS 10-14	10	213TC	-	MVB 100C16T	30 1/8	762	-	-	16 3/8	417	-	-	10 3/8	262	-	-	9 1/4	233	-	-	9 1/8	230	-	-	296	135
TRIFASICO																										
VPS 10-1	0.75	56C	MVB 07H36O	MVB 07H36T	15	380	9 1/4	233	9 3/8	236	6 1/4	158	6 1/4	158	5 1/8	129	5 1/4	132	6	150	6	148	81	37	77	35
VPS 10-2	1.5	56C	MVB 15H36O	MVB 15H36T	15	380	10 1/4	259	10 1/4	259	7 1/4	183	7	179	5 5/8	143	5 3/4	147	6 1/2	165	6 1/2	165	97	44	98	45
VPS 10-3	3	182TC	-	MVB 30H36T	17 1/4	436	-	-	12 1/2	316	-	-	7 1/4	183	-	-	5 3/4	146	-	-	9	226	-	-	115	53
VPS 10-4	3	182TC	-	MVB 30H36T	18 3/8	467	-	-	12 1/2	316	-	-	7 1/4	183	-	-	5 3/4	146	-	-	9	226	-	-	117	54
VPS 10-5	5	182TC	MVB 50H36O	MVB 50H36T	19 5/8	497	13 5/8	344	13 3/4	348	9	227	8 1/2	216	5 5/8	143	7	175	9 1/8	230	9	226	133	61	144	66
VPS 10-6	5	182TC	MVB 50H36O	MVB 50H36T	20 3/4	527	13 5/8	344	13 3/4	348	9	227	8 1/2	216	5 5/8	143	7	175	9 1/8	230	9	226	135	62	146	67
VPS 10-7	5	182TC	MVB 50H36O	MVB 50H36T	21 1/4	540	13 5/8	344	13 3/4	348	9	227	8 1/2	216	5 5/8	143	7	175	9 1/8	230	9	226	161	74	172	79
VPS 10-8	7.5	213TC	-	MVB 75H36T	23 5/8	600	-	-	15 1/4	386	-	-	8 5/8	219	-	-	6	151	-	-	9	226	-	-	196	89
VPS 10-9	7.5	213TC	-	MVB 75H36T	25	630	-	-	15 1/4	386	-	-	8 5/8	219	-	-	6	151	-	-	9	226	-	-	198	90
VPS 10-10	7.5	213TC	-	MVB 75H36T	26	660	-	-	15 1/4	386	-	-	8 5/8	219	-	-	6	151	-	-	9	226	-	-	200	91
VPS 10-12	10	213TC	MVB 100H36O	MVB 100H36T	28 3/8	720	14 5/8	371	15 1/4	388	10 1/4	259	10 3/8	262	8	201	8 1/8	205	9 1/8	230	9 1/8	230	230	105	234	107
VPS 10-14	10	213TC	MVB 100H36O	MVB 100H36T	30 1/8	762	14 5/8	371	15 1/4	388	10 1/4	259	10 3/8	262	8	201	8 1/8	205	9 1/8	230	9 1/8	230	250	114	254	116
VPS 10-16	15	254TC	-	MVB 150H36T	35 3/4	907	-	-	16 3/8	415	-	-	10 3/8	262	-	-	9 1/4	235	-	-	9 1/8	232	-	-	359	163
VPS 10-17	15	254TC	-	MVB 150H36T	38 1/8	967	-	-	16 3/8	415	-	-	10 3/8	262	-	-	9 1/4	235	-	-	9 1/8	232	-	-	361	164

- No está disponible
Todas las medidas son de referencia. Los valores podrán cambiar según el modelo del motor.