

LK160A Distribution terminal blocks



UL CE RoHS



LK160A

160A IEC 60947-7-1 200 Amp UL/CSA

Modular:

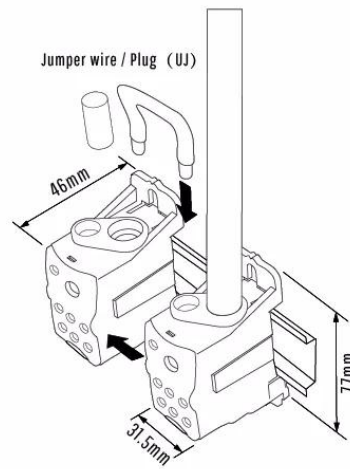
keeping only one input, the blocks can be connected in parallel using a jumper wire. Easily double or triple the neutral.

Performance

- Space saving: compact
- Tinned copper block: high conductivity
- IP 20 protection/UL finger-safe: improved safety
- Cable fixing screw diameters >95% fill ratio: excellent electrical contact, safe connections
- Visual inspection of wire: confirmation of connection
- Hinged or removable cover: easy wiring
- Clip-on DIN rail or mount to panel with screws: easy fixing

Installation diagram

Installation Hole: 64mm



- I=160 A IEC
- I=200 A UL/CSA
- I_{cw} KA rms Is: 11.8
- I_{pk} KA: 30
- U_i: 690V IEC
- V_{in}: 600 V UL

Metric system	** Or common jumper wire.	mm ²			I(N.m)
		10...70	x1		8.5
		6...16**	x1		3.5
		2.5...16	x6		3.5
U.S. Regulations		AWG			Torque
		8...3/0	x1		56
		14...4	x1		17.5
		14...4	x6		17.5