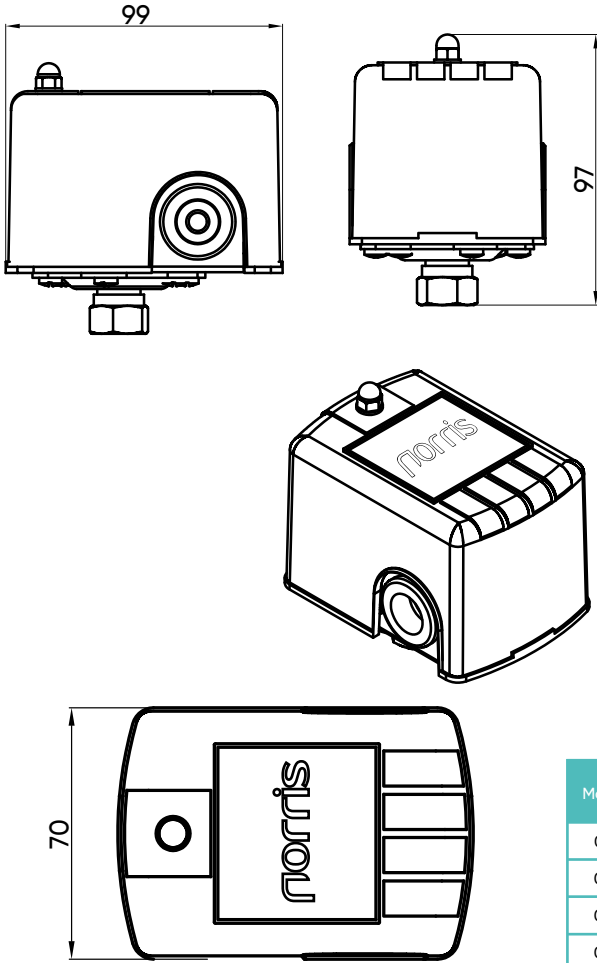


Presostato Norris | 20-40 PSI | Conexión hembra de 1/4" | 110/220V | NC | NRP3050



Dimension in: mm



Model	Pressure range	Differential pressure range	Maximum working pressure	Model	Pressure range	Differential pressure range	maximum working pressure
02	-0.5 ~ 2	-0.2 ~ 0.7	10	16	3 ~ 16	1 ~ 4	17
03	-0.5 ~ 3	-0.35 ~ 1.5	10	20	5 ~ 20	2 ~ 5	35
06	-0.5 ~ 6	-0.6 ~ 4	17	30D	8 ~ 30	3 ~ 10	35
08	-0.2 ~ 7.5	-0.7 ~ 4	17	32	8 ~ 32	2 ~ 6	35
10	1 ~ 10	1 ~ 3	17	42	8 ~ 42	4 ~ 10	46.5
14	2 ~ 14	1 ~ 4	17	70	10 ~ 70	5 ~ 15	70

unit: bar

Pressure switches provide time tested, reliable control for automatic water systems. the switch is universally acceptable for use as original equipment on water well pumps or pumping systems.

NRP3050 Order Ref No

NRP3050 (-1) - 111 -30-50psi

ABC Pressure setting: Cut in 30psi

Cut off 50psi

Number	Connection type		Connection size
1	A single port	B female	C 1/4 NPT
2	/	Male	3/8 NPT
3	/	/	R1/4
4	/	/	R3/8
5	/	/	G1/4
6	/	/	G3/8

**Specification**

Model	Min On (Cut-In) psi	Min Off (Cut-Out) psi	Differential psi	Factory Setting psi	Electrical Rating			Contact Arrangement	Connection
					1Phase 120VAC	3Phase 240VAC	240VAC		
NRP2040	20	80	15-30	20-40	2HP	3HP	5HP	NC	1/4 Male or female NPT
NRP3050			15-30	30-50					
NRP4060			15-35	40-60					
NRP70100	40	100	20-35	70-100					