

# OUTLOOK



0.25-0.75KW WITH THREAD

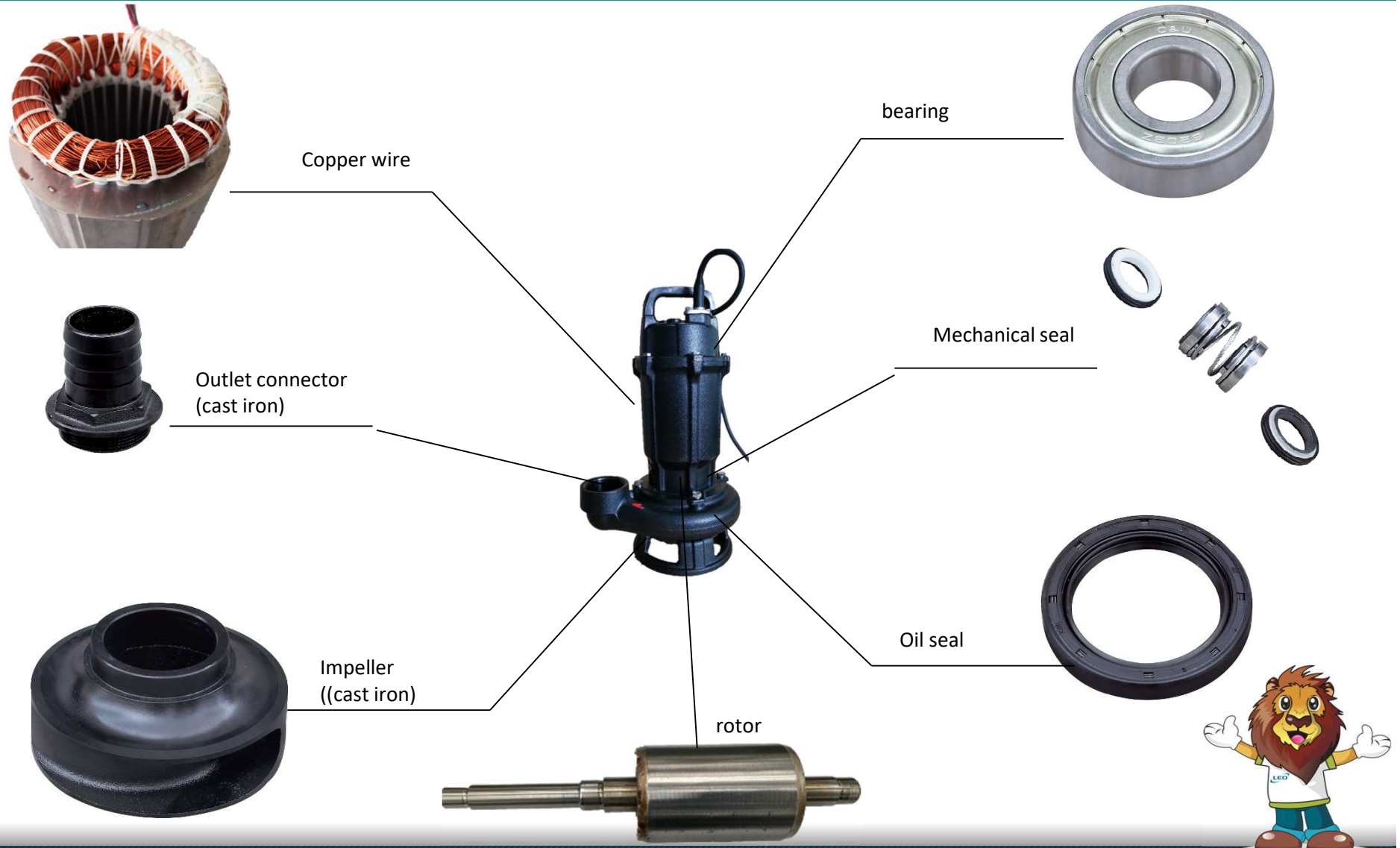


0.25-2.2KW WITH FLANGE

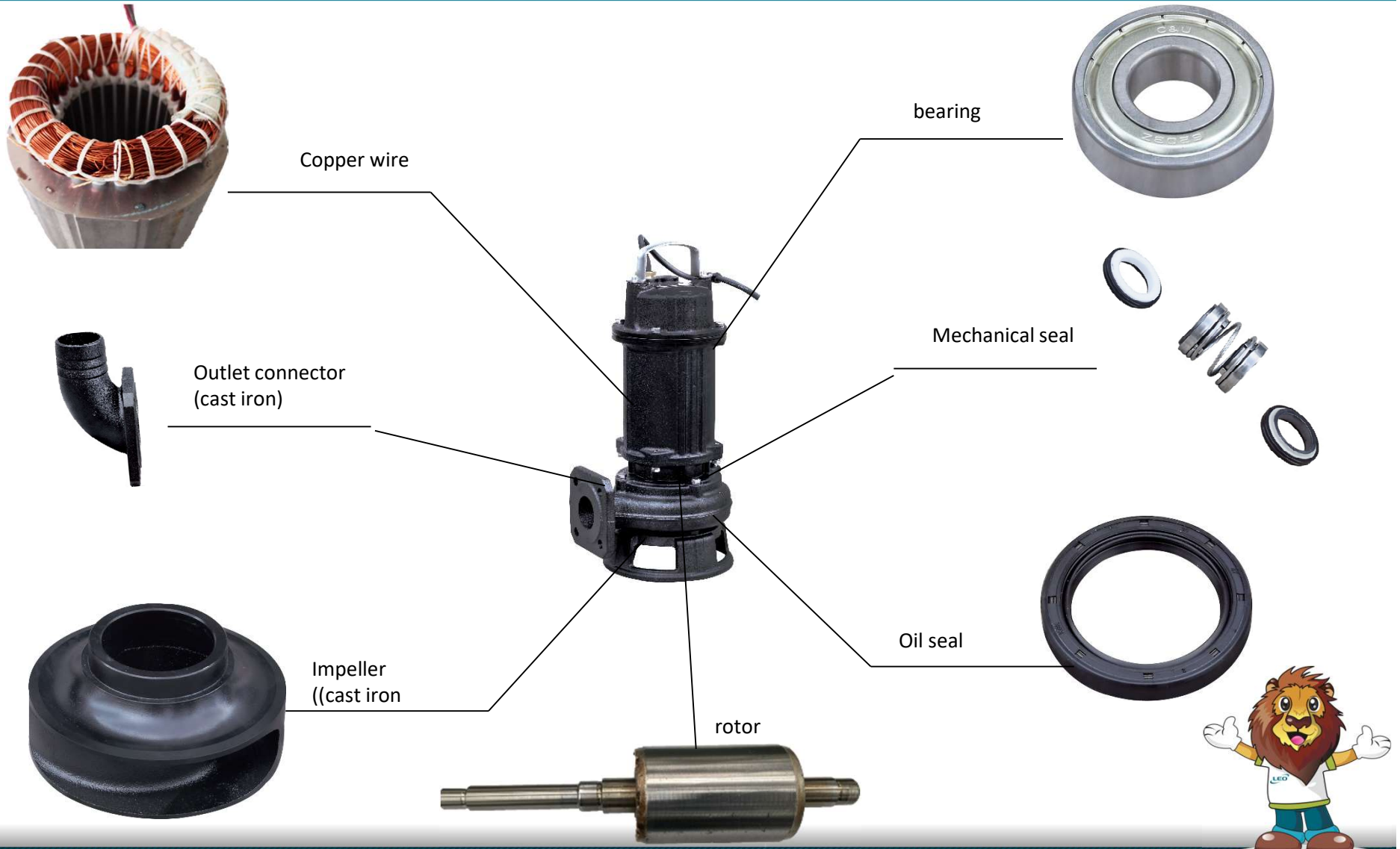


3-4KW WITH FLANGE

# PRODUCT



# PRODUCT



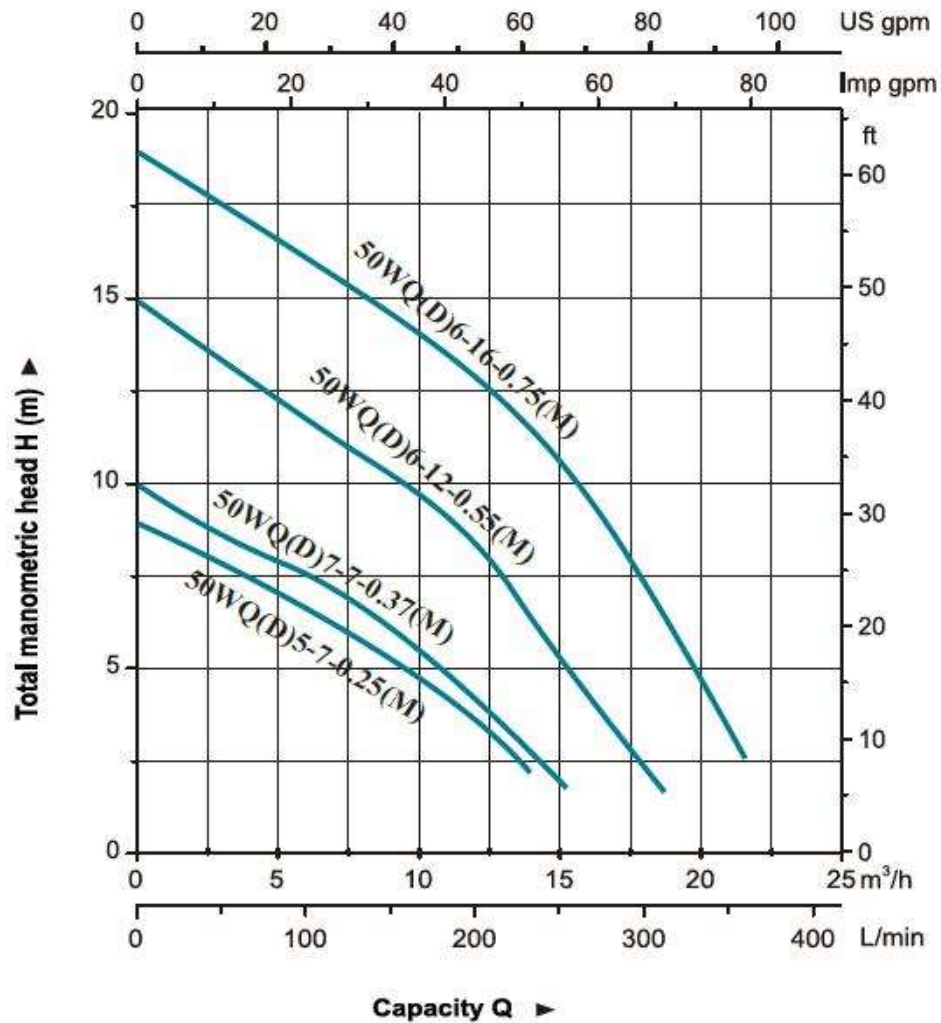


# MODEL

ITEM	PRODUCTION MODEL	V/Hz	KW	SPEED r/min	RATED FLOW m <sup>3</sup> /h	RATED HEAD m	PIPE SIZE mm	SOLID mm
1	50WQ5-7-0.25(TM)	380/50	0.25	3000	5	7	50	20
2	50WQD5-7-0.25(TM)	220/50	0.25	3000	5	7	50	20
3	50WQ7-7-0.37(TM)	380/50	0.37	3000	7	7	50	20
4	50WQD7-7-0.37(TM)	220/50	0.37	3000	7	7	50	20
5	50WQ6-12-0.55(TM)	380/50	0.55	3000	6	12	50	20
6	50WQD6-12-0.55(TM)	220/50	0.55	3000	6	12	50	20
7	50WQ6-16-0.75(TM)	380/50	0.75	3000	6	16	50	20
8	50WQD6-16-0.75(TM)	220/50	0.75	3000	6	16	50	20
9	50WQ10-10-0.75(TM)	380/50	0.75	3000	10	10	50	20
10	50WQD10-10-0.75(TM)	220/50	0.75	3000	10	10	50	20
11	50WQ5-7-0.25(T)	380/50	0.25	3000	5	7	50	20
12	50WQD5-7-0.25(T)	220/50	0.25	3000	5	7	50	20
13	50WQ7-7-0.37(T)	380/50	0.37	3000	7	7	50	20
14	50WQD7-7-0.37(T)	220/50	0.37	3000	7	7	50	20
15	50WQ6-12-0.55(T)	380/50	0.55	3000	6	12	50	20
16	50WQD6-12-0.55(T)	220/50	0.55	3000	6	12	50	20
17	50WQ6-16-0.75(T)	380/50	0.75	3000	6	16	50	20
18	50WQD6-16-0.75(T)	220/50	0.75	3000	6	16	50	20
19	50WQ10-10-0.75(T)	380/50	0.75	3000	10	10	50	20

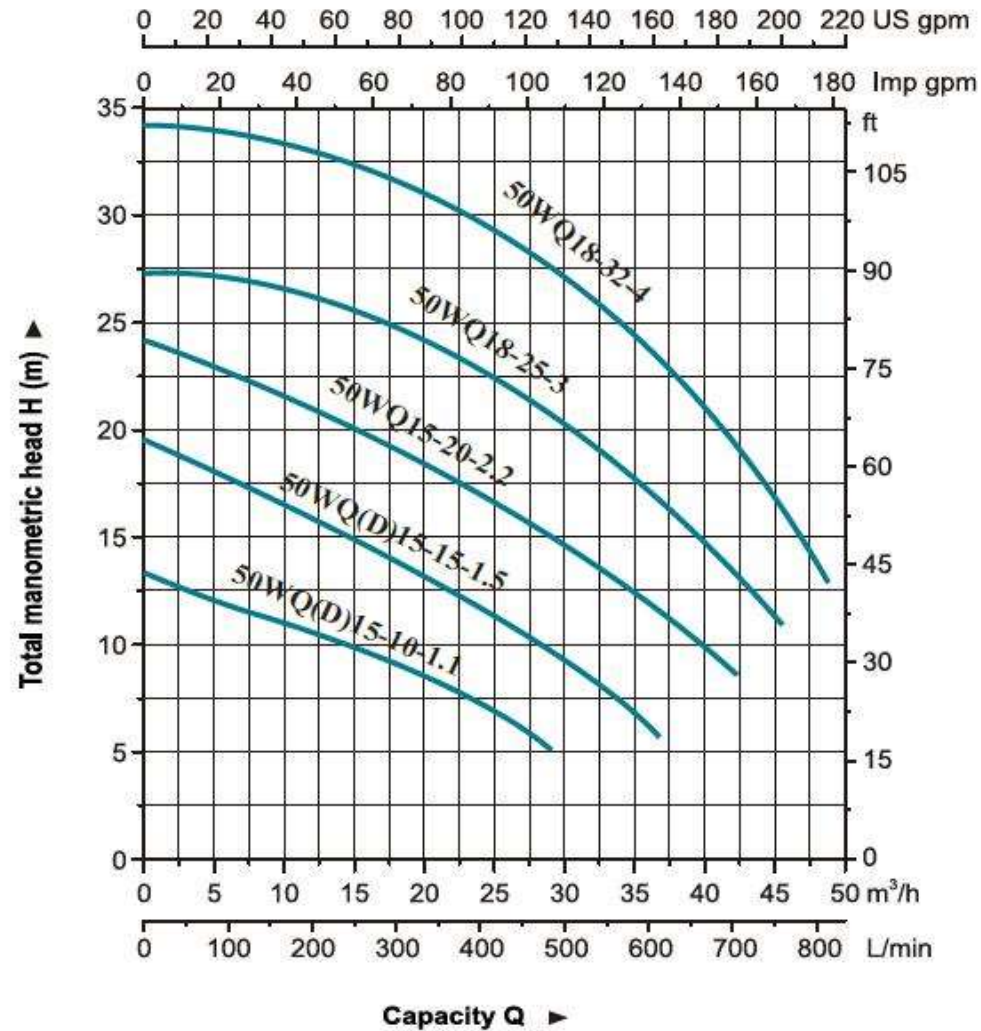
20	50WQD10-10-0.75(T)	220/50	0.75	3000	10	10	50	20
21	50WQ8-16-1.1(T)	380/50	1.1	3000	8	16	50	25
22	50WQD8-16-1.1(T)	220/50	1.1	3000	8	16	50	25
23	50WQ15-10-1.1(T)	380/50	1.1	3000	15	10	50	25
24	50WQD15-10-1.1(T)	220/50	1.1	3000	15	10	50	25
25	50WQ15-15-1.5(T)	380/50	1.5	3000	15	15	50	25
26	50WQD15-15-1.5(T)	220/50	1.5	3000	15	15	50	25
27	50WQ25-12-1.5(T)	380/50	1.5	3000	25	12	50	25
28	50WQD25-12-1.5(T)	220/50	1.5	3000	25	12	50	25
29	50WQ10-20-1.5(T)	380/50	1.5	3000	10	20	50	25
30	50WQD10-20-1.5(T)	220/50	1.5	3000	10	20	50	25
31	50WQ15-20-2.2(T)	380/50	2.2	3000	15	20	50	25
32	50WQ9-23-2.2(T)	380/50	2.2	3000	9	23	50	25
33	50WQ20-19-2.2(T)	380/50	2.2	3000	20	19	50	25
34	50WQ25-17-2.2(T)	380/50	2.2	3000	25	17	50	25
35	80WQ40-9-2.2(T)	380/50	2.2	3000	40	9	80	30
36	80WQ35-11-2.2(T)	380/50	2.2	3000	35	11	80	30
37	50WQ18-25-3(T)	380/50	3	3000	18	25	50	20
38	65WQ25-22-3(T)	380/50	3	3000	25	22	65	25
39	80WQ40-13-3(T)	380/50	3	3000	40	13	80	30
40	100WQ60-9-3(T)	380/50	3	3000	60	9	100	30
41	50WQ18-32-4(T)	380/50	4	3000	18	32	50	20
42	65WQ25-28-4(T)	380/50	4	3000	25	28	65	25
43	80WQ40-18-4(T)	380/50	4	3000	40	18	80	30
44	100WQ60-13-4(T)	380/50	4	3000	60	13	100	30

# PARAMETER

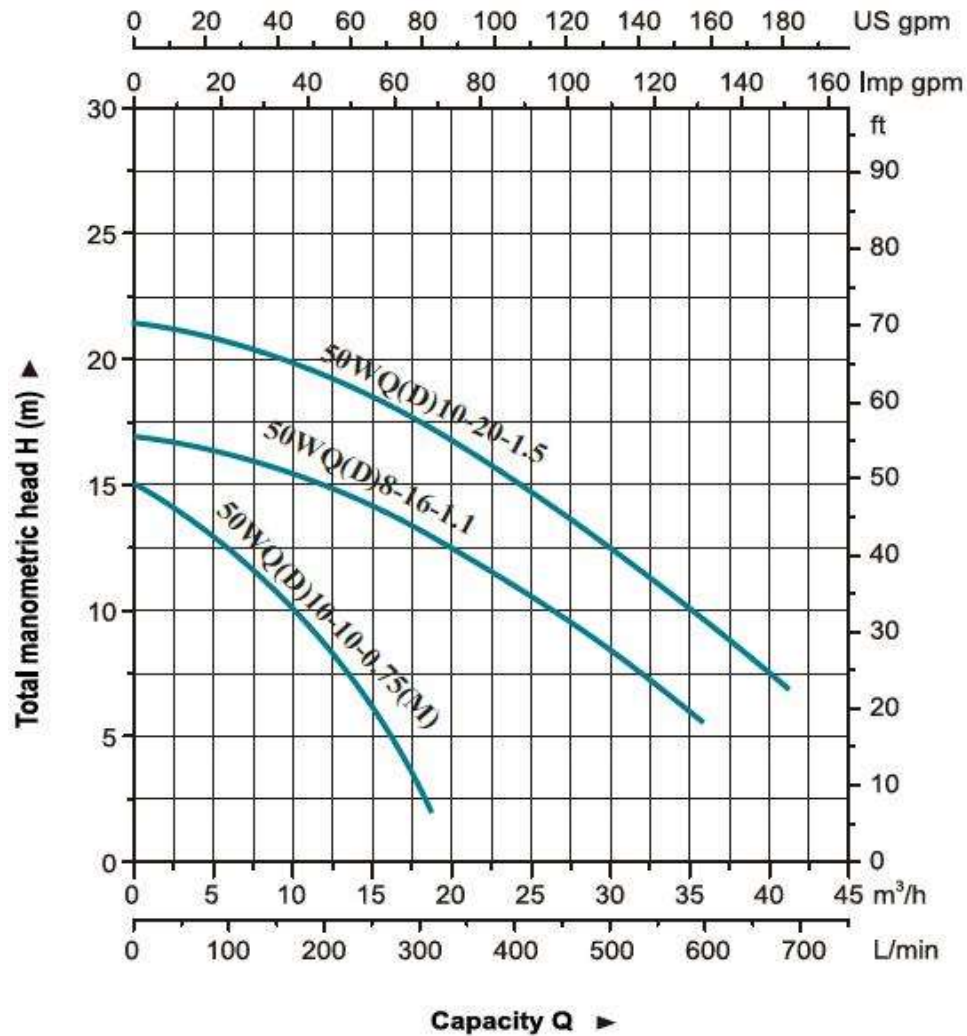




# PARAMETER

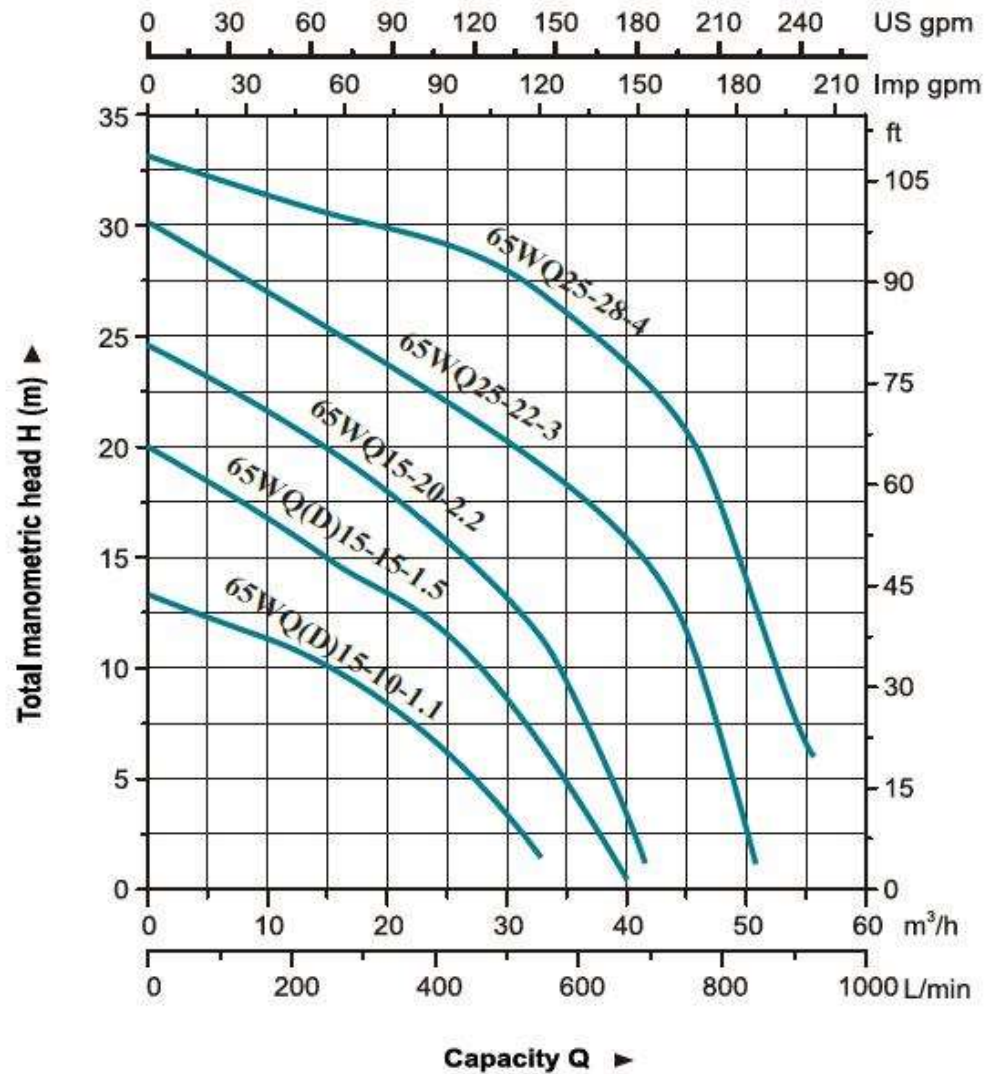


# PARAMETER

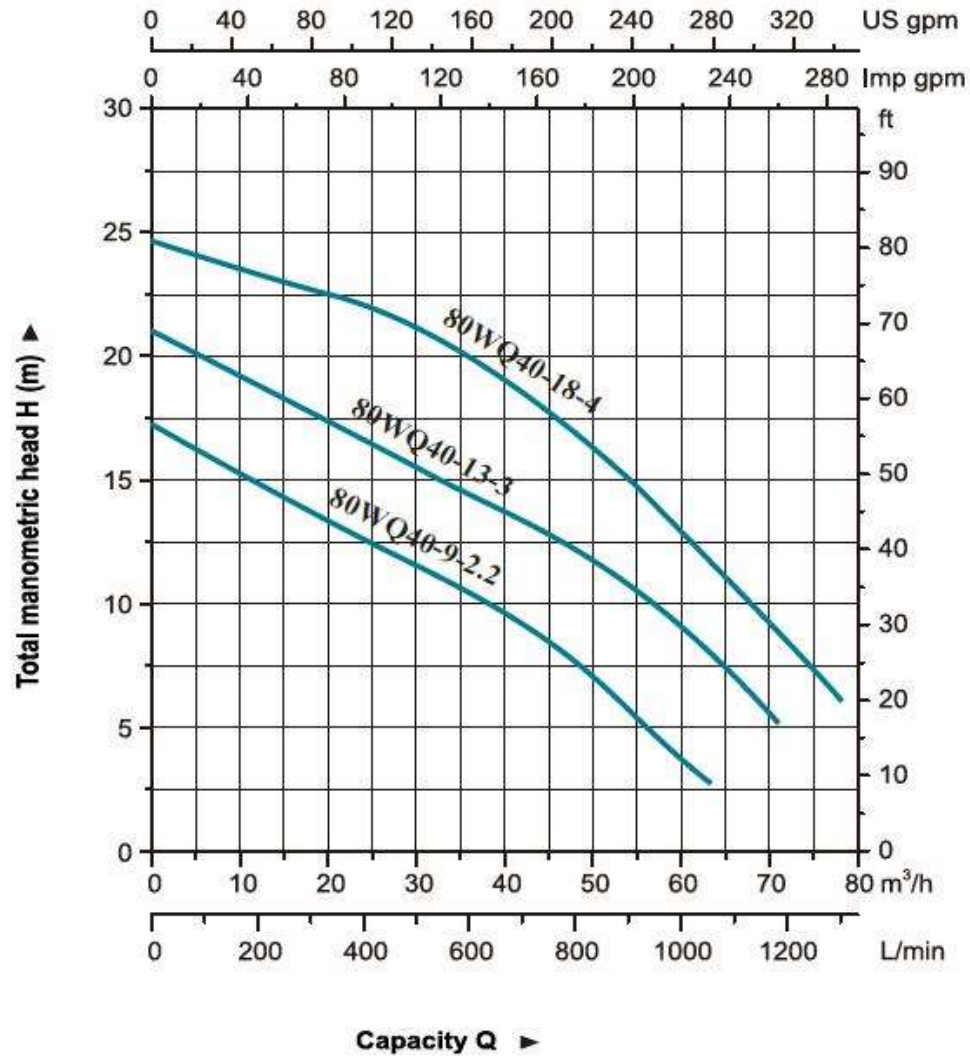




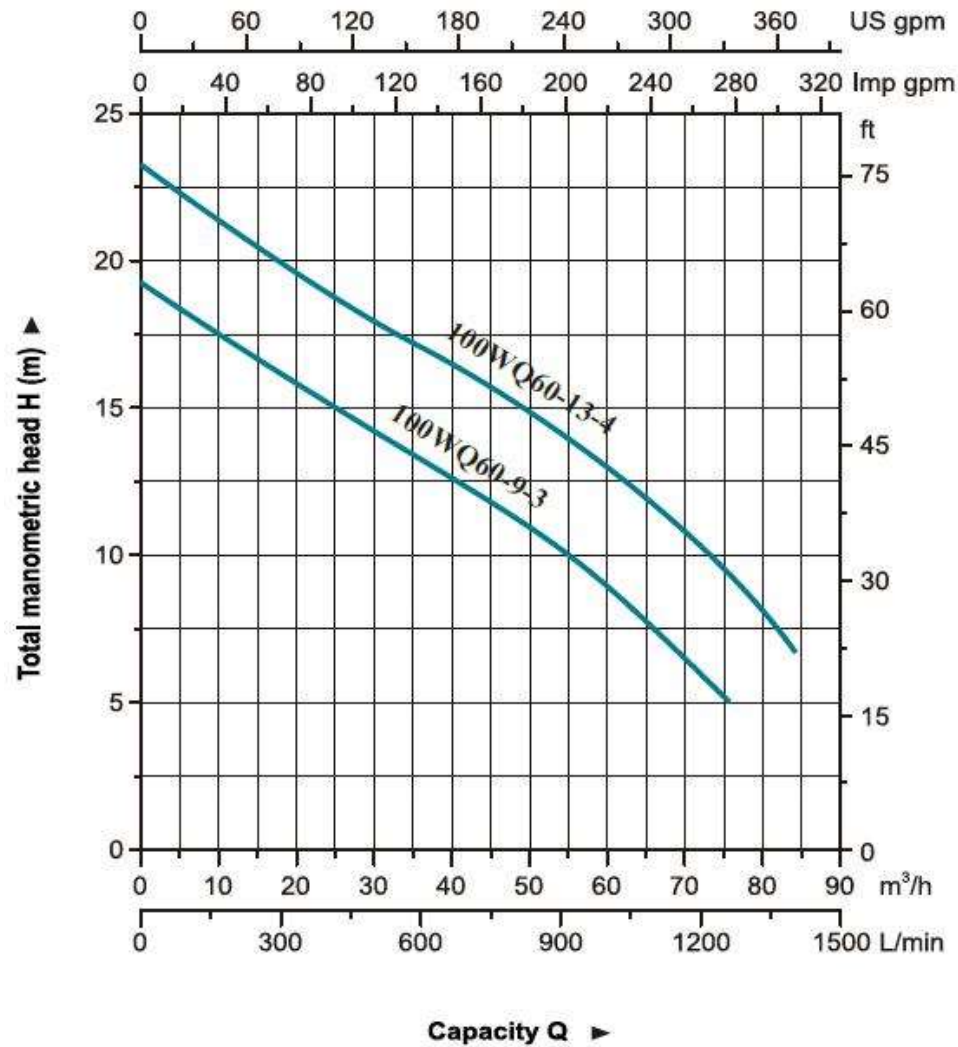
# PARAMETER



# PARAMETER



# PARAMETER





# OUTLOOK

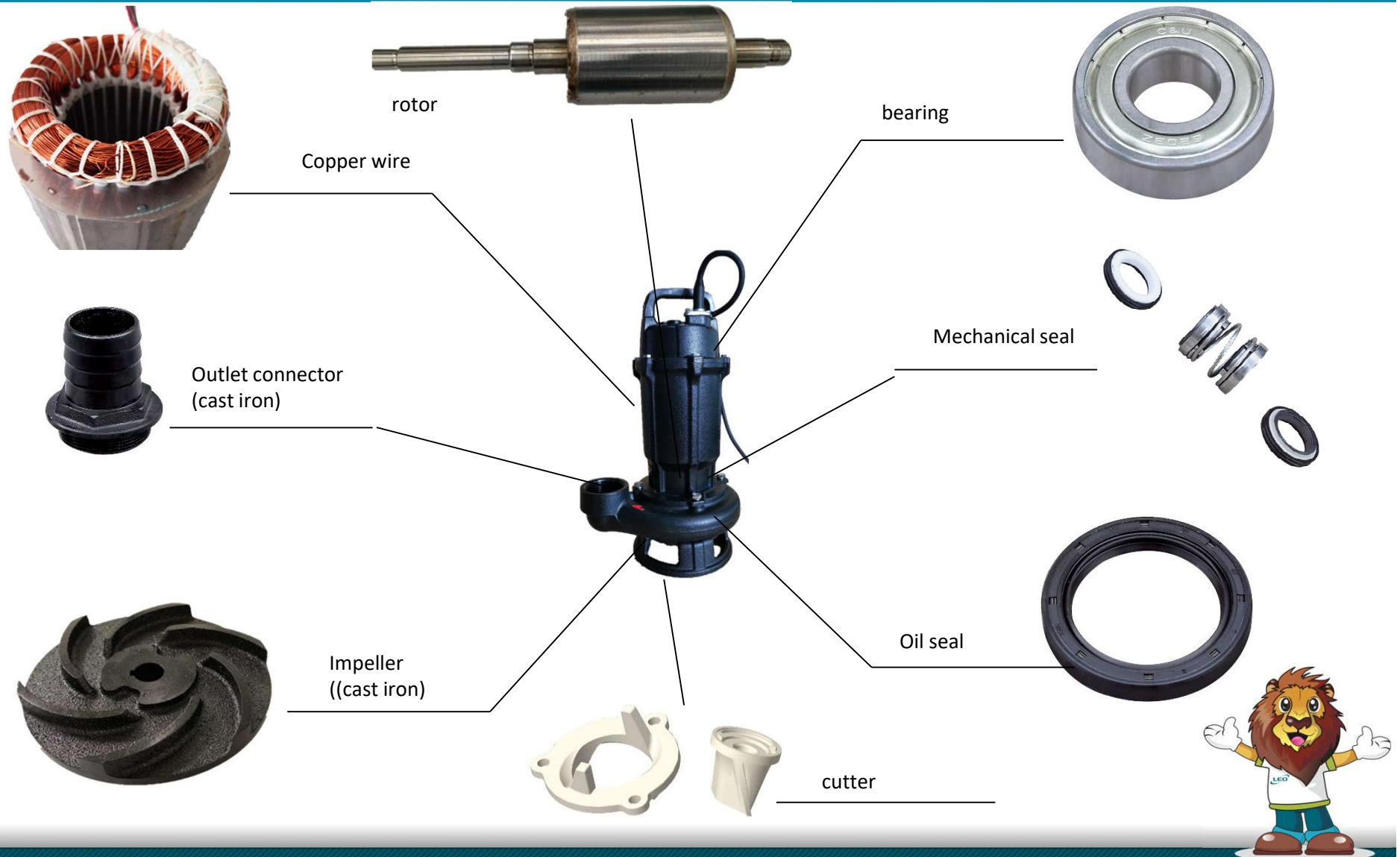


0.75-1.1KW WITH CUTTER

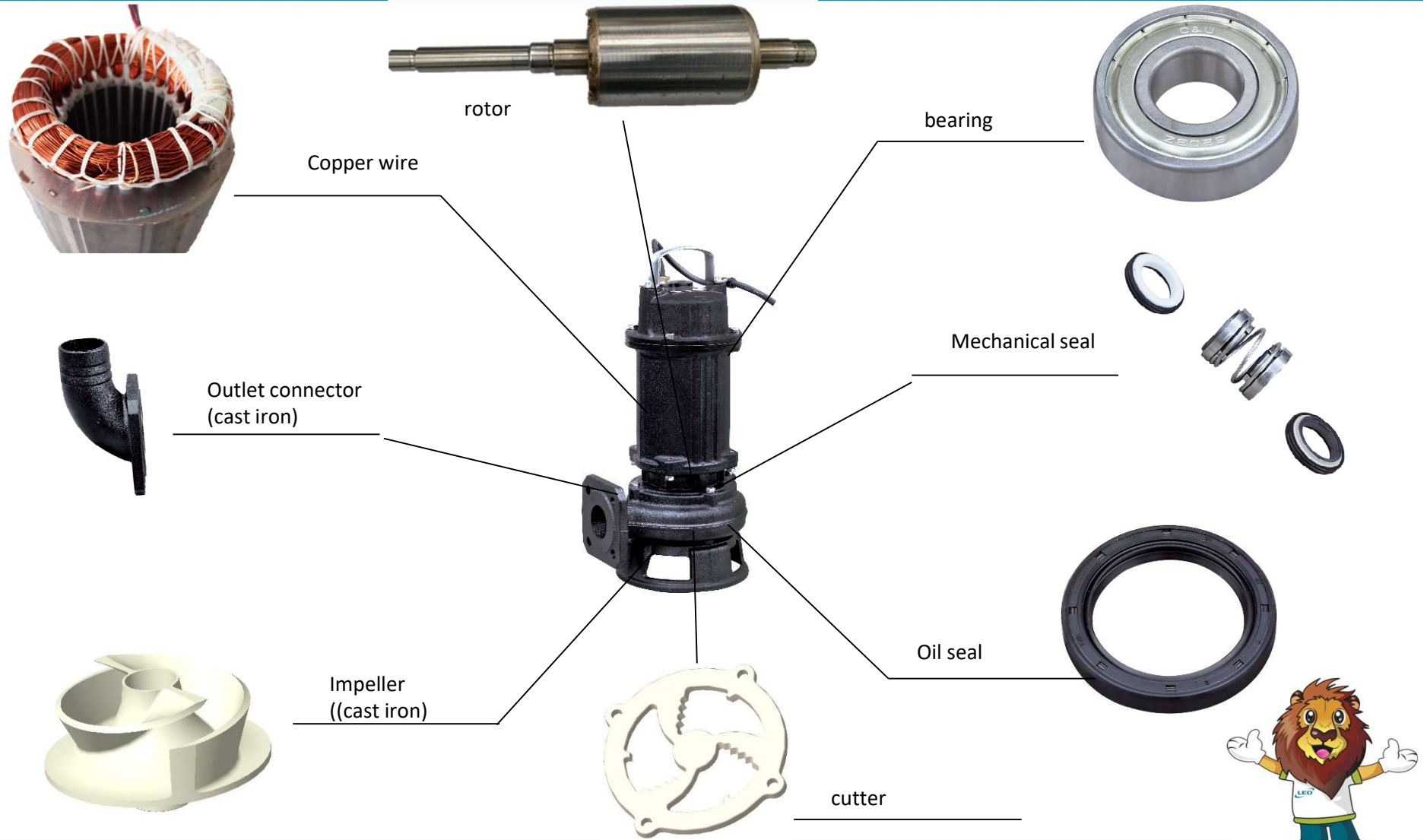


1.5-4KW WITH CUTTER

# PRODUCT



# PRODUCT

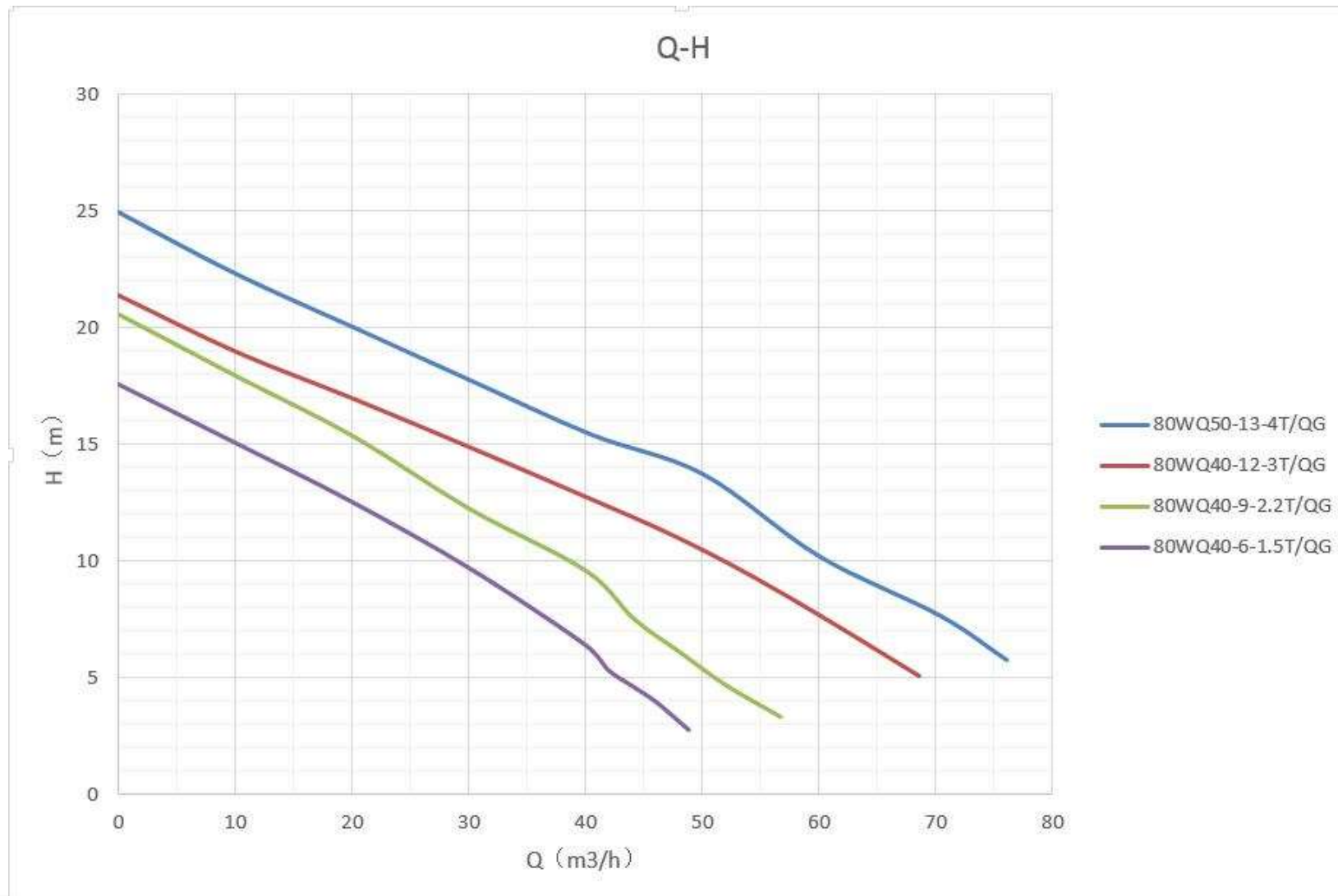




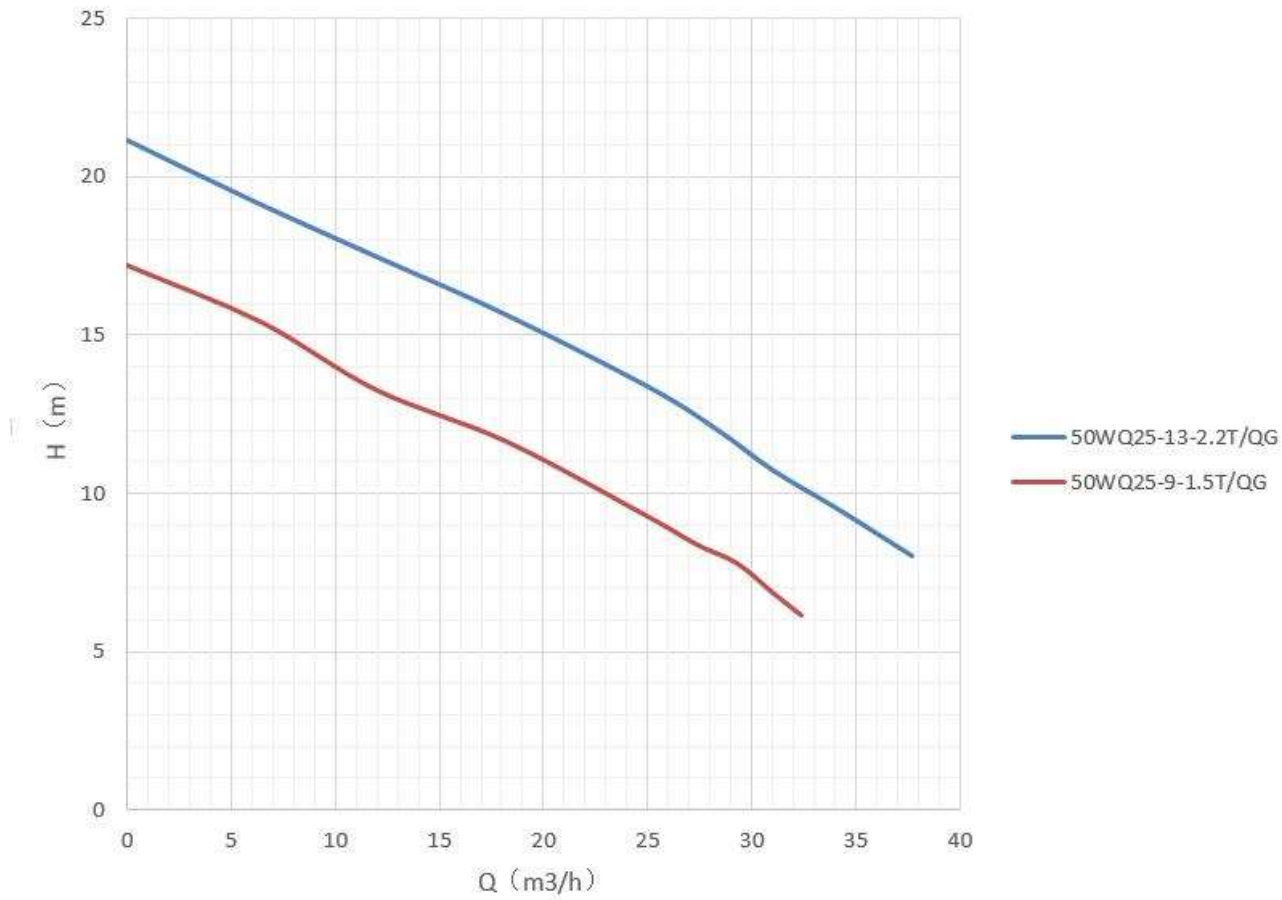
# MODEL

ITEM	PRODUCTION MODEL	V/Hz	KW	SPEED r/min	RATED FLOW m <sup>3</sup> /h	RATED HEAD m	PIPE SIZE mm
	150WQD10-7-0.75TM/QG	220/50	0.75	3000	10	7	50
	250WQ10-7-0.75TM/QG	380/50	0.75	3000	10	7	50
	350WQD10-10-1.1TM/QG	220/50	1.1	3000	10	10	50
	450WQ10-10-1.1TM/QG	380/50	1.1	3000	10	10	50
	550WQ25-9-1.5T/QG	380/50	1.5	3000	25	9	50
	680WQ40-6-1.5T/QG	380/50	1.5	3000	40	6	80
	750WQ25-13-2.2T/QG	380/50	2.2	3000	25	13	50
	880WQ40-9-2.2T/QG	380/50	2.2	3000	40	9	80
	980WQ40-12-3T/QG	380/50	3	3000	40	12	80
	1080WQ50-13-4T/QG	380/50	4	3000	50	13	80

# PARAMETER



Q-H





Q-H

