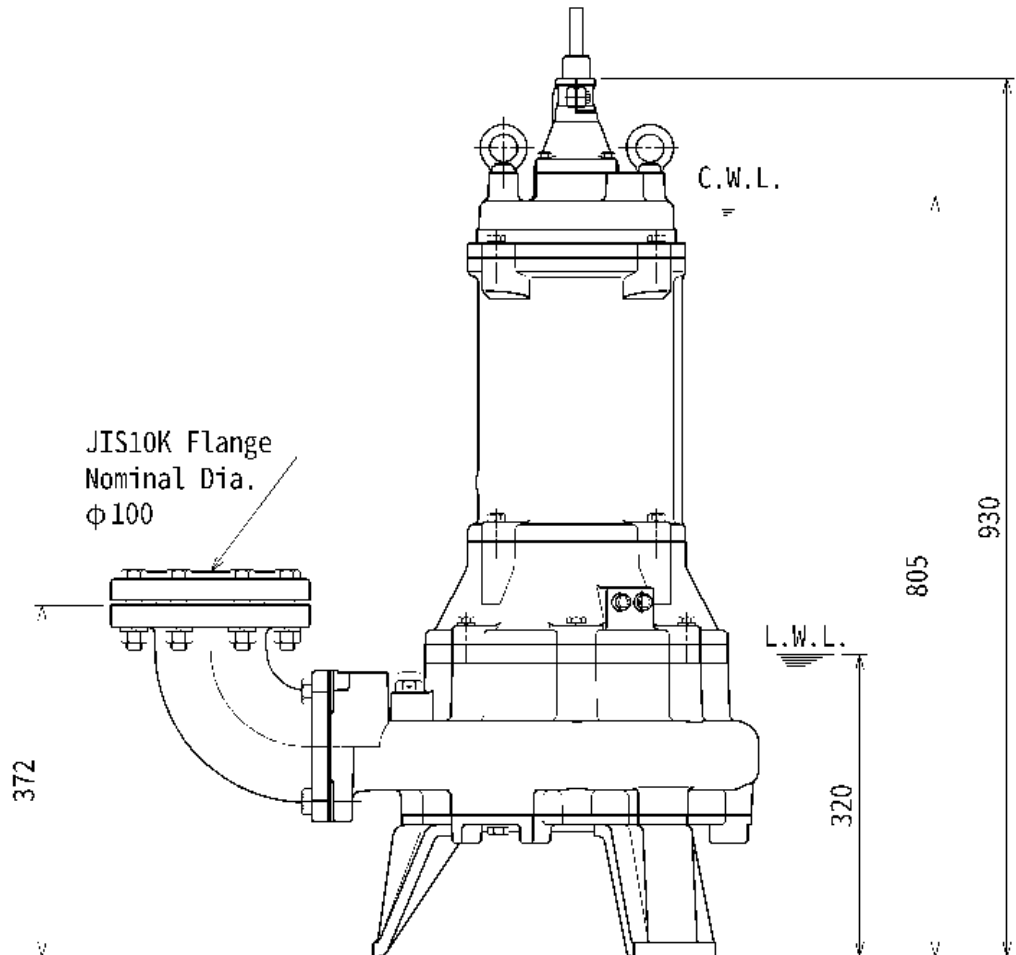
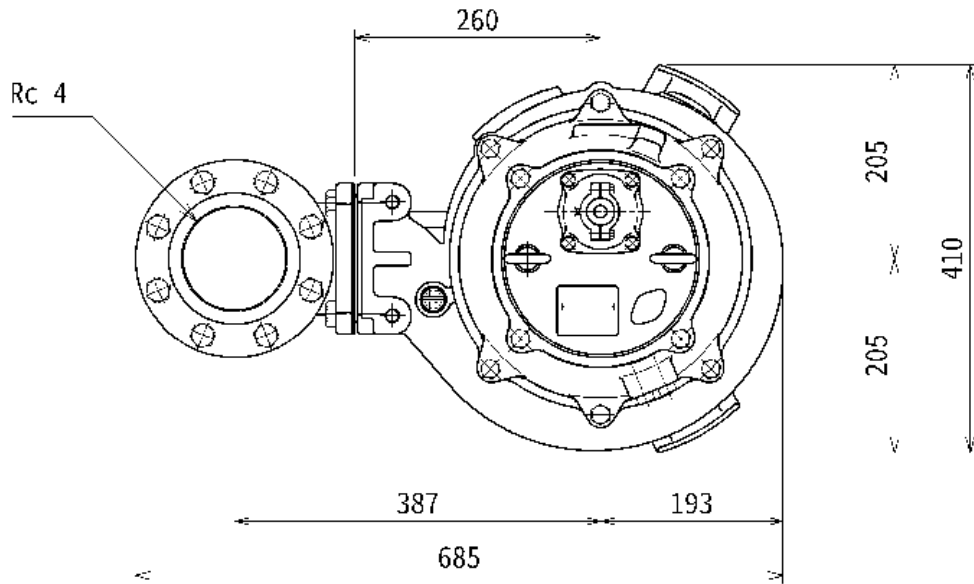


|                   |   |       |                  |           |
|-------------------|---|-------|------------------|-----------|
| DIMENSION DRAWING |   | No.   | No.              | A-29293-1 |
| TYPE              | Submersible<br>Sewage & Wastewater Pump | MODEL | 100CZ45.5 -51/61 |           |

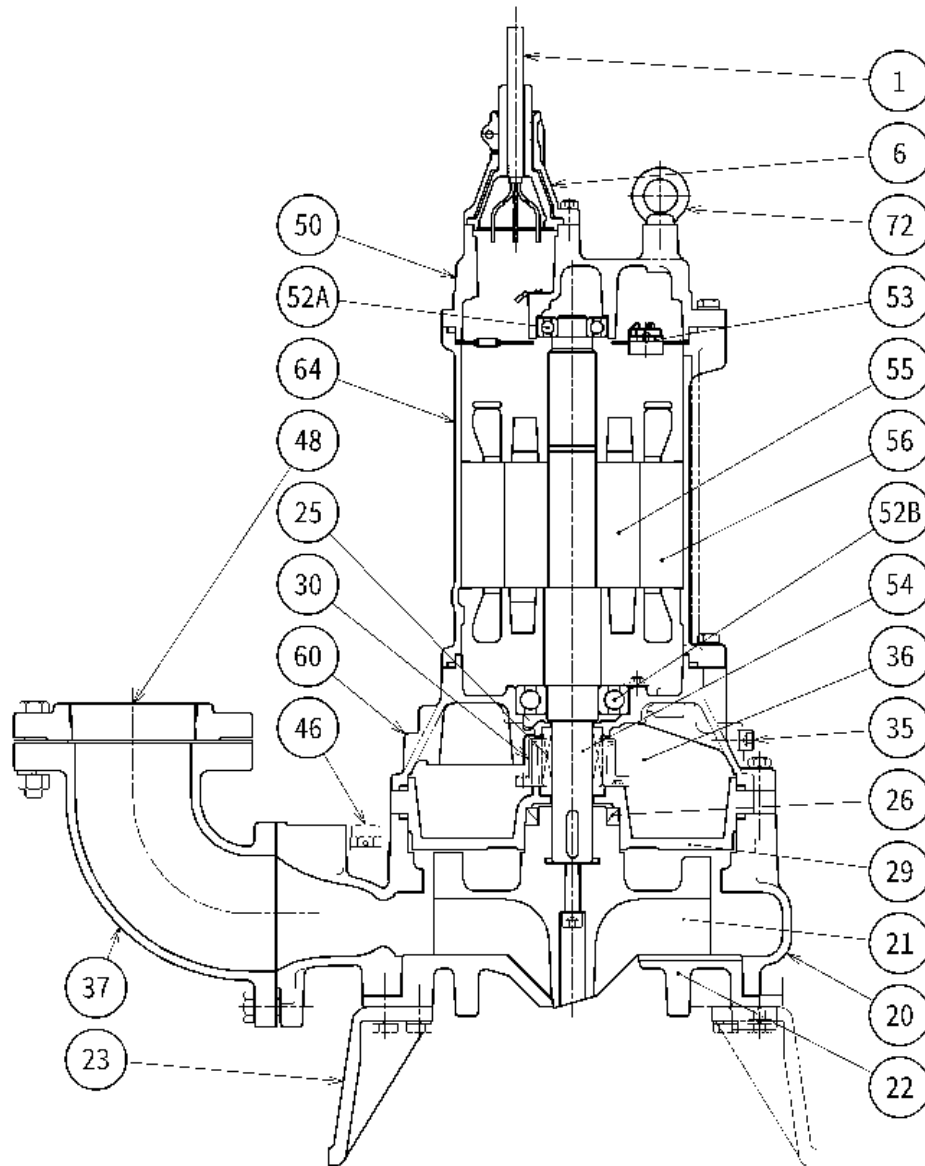
|                          |
|--------------------------|
| Approximate<br>Weight(※) |
| 166kg                    |

※excluding cable



C.W.L.:Continuous running Water Level  
L.W.L.:Lowest running Water Level

|                   |   |       |                  |           |
|-------------------|---|-------|------------------|-----------|
| SECTIONAL DRAWING |   | No.   | No.              | A-29294-1 |
| TYPE              | Submersible<br>Sewage & Wastewater Pump | MODEL | 100CZ45.5 -51/61 |           |



REQ. SPECIFICATION

| No. | DESCRIPTION       | Q'TY | MATERIAL / NOTE          | No. | DESCRIPTION     | Q'TY | MATERIAL / NOTE       |
|-----|-------------------|------|--------------------------|-----|-----------------|------|-----------------------|
| 1   | Cable             | 1    | Chloroprene Sheath       | 48  | Screwed Flange  | 1    | Gray Iron Casting 200 |
| 6   | Stuffing Box      | 1    | Gray Iron Casting 200    | 50  | Motor Bracket   | 1    | Gray Iron Casting 200 |
| 20  | Pump Casing       | 1    | Gray Iron Casting 250    | 52A | Upper Bearing   | 1    | 6305ZC3               |
| 21  | Impeller          | 1    | Ductile Iron Casting 500 | 52B | Lower Bearing   | 1    | 6309ZC3               |
| 22  | Suction Cover     | 1    | Ductile Iron Casting 500 | 53  | Motor Protector | 1    |                       |
| 23  | Stand             | 3    | Gray Iron Casting 200    | 54  | Shaft           | 1    | 420J2 Stainless Steel |
| 25  | Mechanical Seal   | 1    | H-35A                    | 55  | Rotor           | 1    |                       |
| 26  | Oil Seal          | 1    | TC608212                 | 56  | Stator          | 1    |                       |
| 29  | Oil Casing        | 1    | Gray Iron Casting 250    | 60  | Bearing Housing | 1    | Gray Iron Casting 200 |
| 30  | Oil Lifter        | 1    | Plastic                  | 64  | Motor Frame     | 1    | Gray Iron Casting 200 |
| 35  | Oil Plug          | 2    | 304 Stainless Steel      | 72  | Eyebolt         | 2    | 304 Stainless Steel   |
| 36  | Lubricant         |      | Turbine Oil (ISO VG32)   |     |                 |      |                       |
| 37  | Discharge Bend    | 1    | Gray Iron Casting 200    |     |                 |      |                       |
| 46  | Air Release Valve | 1    | Nylon                    |     |                 |      |                       |

No. A-29290-1

# PUMP PERFORMANCE CURVES

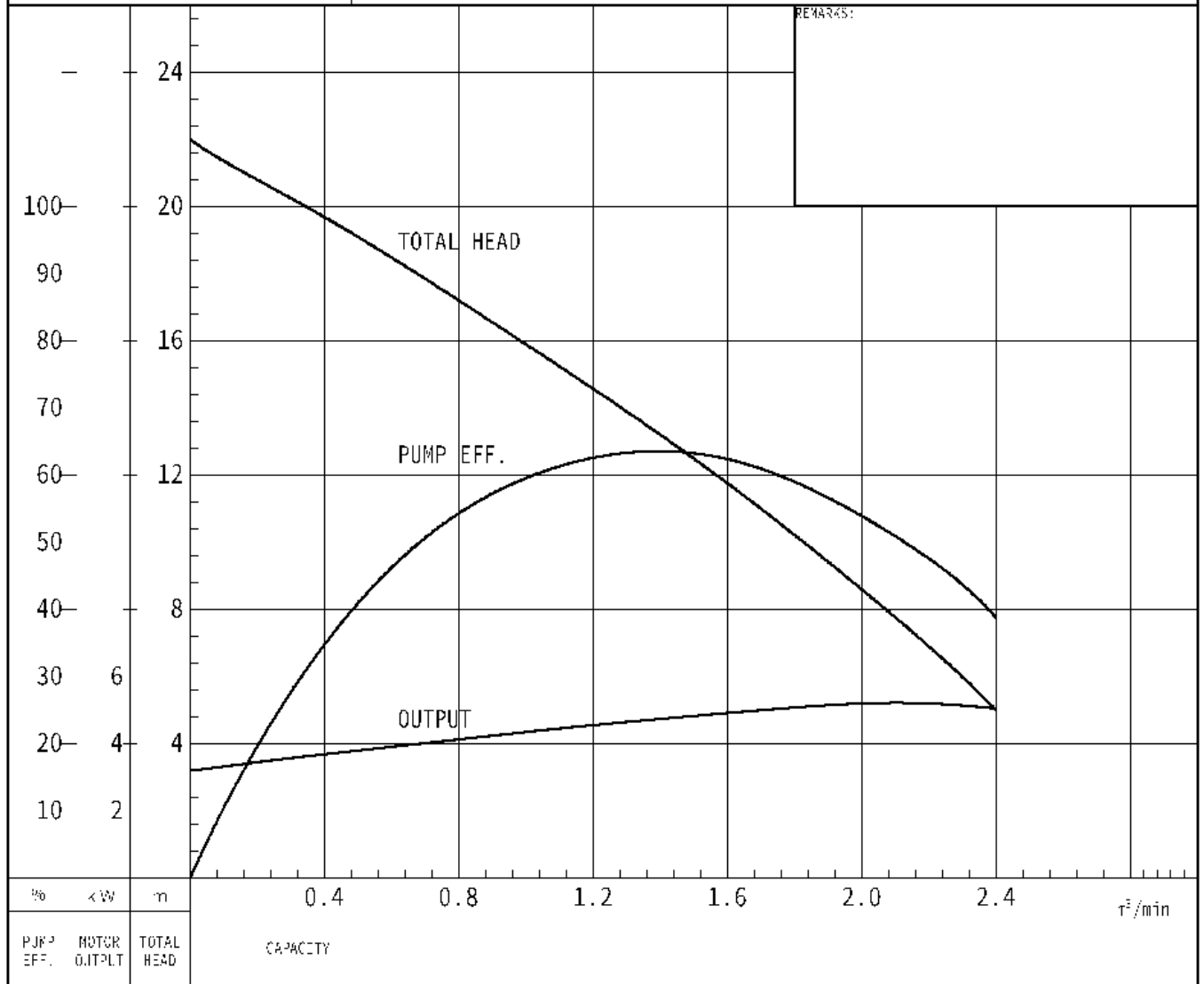
|   |  |                           |
|---|--|---------------------------|
| <b>TYPE</b> Submersible<br>Sewage & Wastewater Pump | <b>MODEL</b> 100CZ45.5 -61<br>TOS100CZ45.5 -61 | <b>FREQUENCY</b><br>60 Hz |
|---|--|---------------------------|

CUSTOMER'S NAME \_\_\_\_\_

EQUIPMENT TITLE \_\_\_\_\_

No. \_\_\_\_\_

|                         | STANDARD SPECIFICATIONS          | REQUIRED SPECIFICATIONS |
|-------------------------|----------------------------------|-------------------------|
| DISCHARGE BORE          | 100 mm                           | mm                      |
| TOTAL HEAD              | MAX. 22 m                        | m                       |
| CAPACITY                | MAX. 2.4 m <sup>3</sup> /min     | m <sup>3</sup> /min     |
| MOTOR OUTPUT            | 5.5 kw                           | kw                      |
| PHASE × VOLTAGE         | 3 φ × V                          | φ × V                   |
| CURRENT                 | A                                | A                       |
| POLES SPEED OF ROTATION | 4 P / S.S.1800 min <sup>-1</sup> | P / min <sup>-1</sup>   |
| STARTING METHOD         | DIRECT ON LINE                   |                         |
| INSULATION CLASS        | F                                |                         |

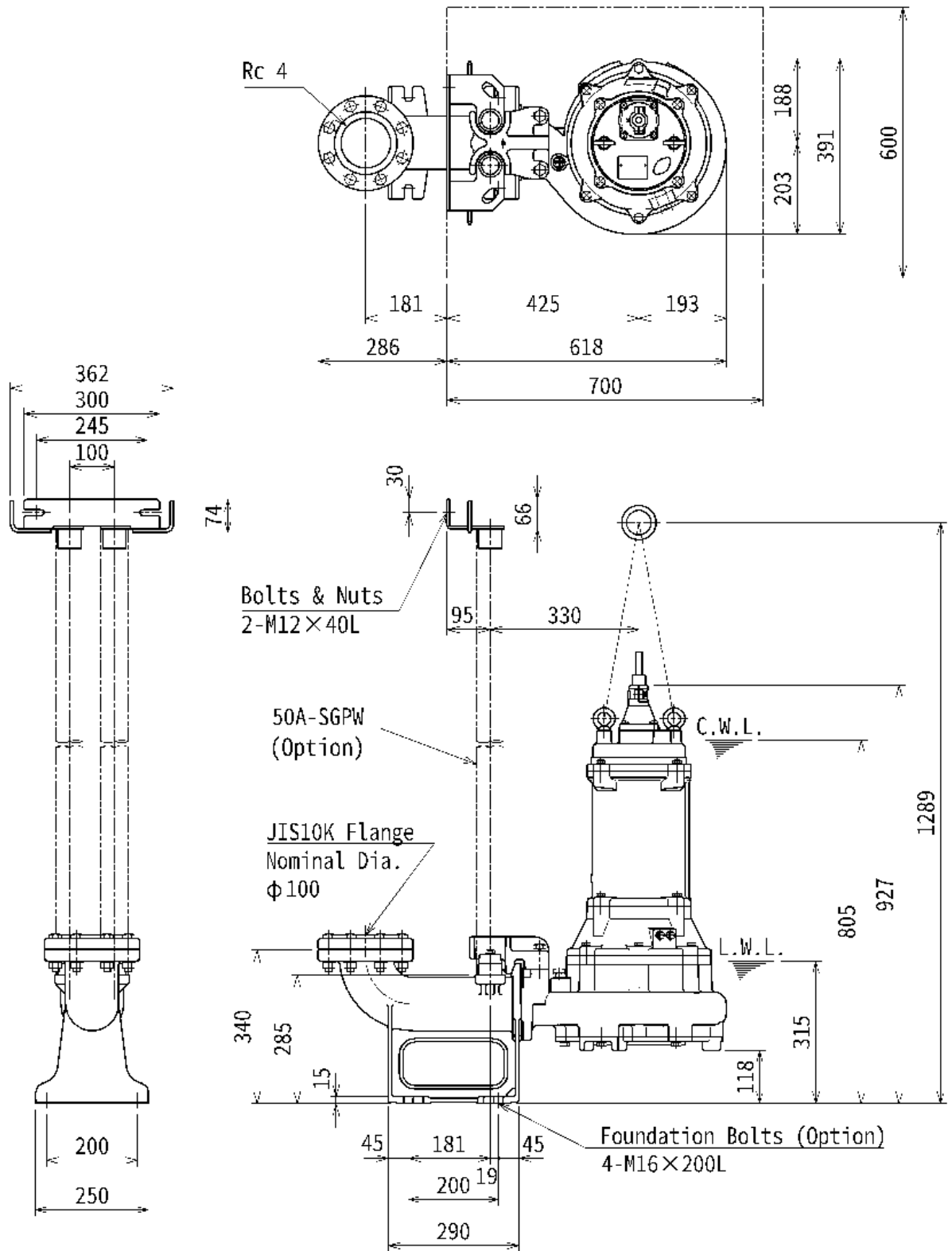


TSURUMI MFG. CO., LTD.

|                   |   |       |                     |           |
|-------------------|---|-------|---------------------|-----------|
| DIMENSION DRAWING |   | No.   | No.                 | A-29295-1 |
| TYPE              | Submersible<br>Sewage & Wastewater Pump | MODEL | TOS100CZ45.5 -51/61 |           |

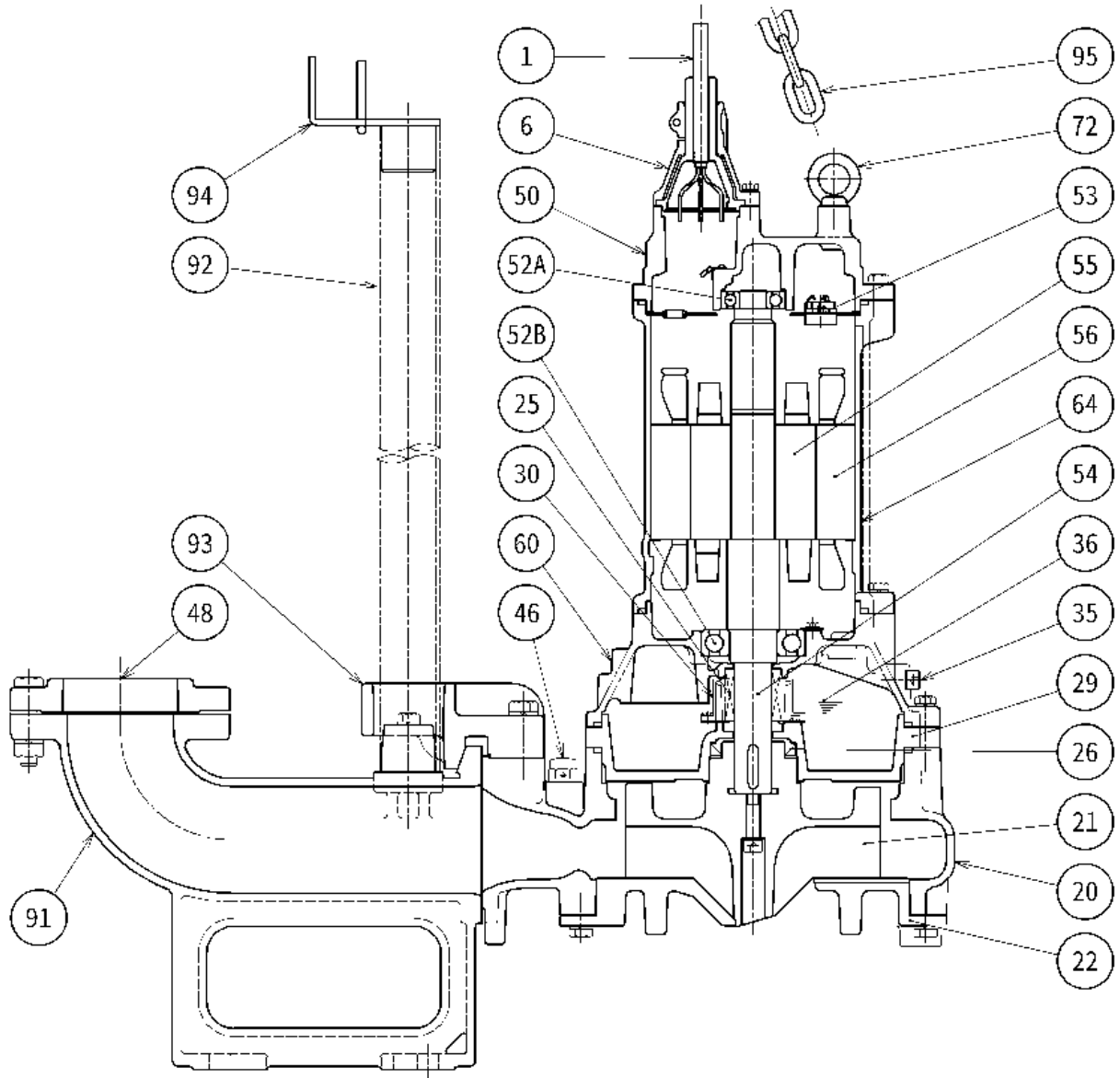
|                       |       |
|-----------------------|-------|
| Approximate Weight(※) |       |
| Duckfoot Bend         | Pump  |
| 31kg                  | 150kg |

※excluding cable



C.W.L.:Continuous running Water Level  
L.W.L.:Lowest running Water Level

|                   |                                      |       |                     |           |
|-------------------|--------------------------------------|-------|---------------------|-----------|
| SECTIONAL DRAWING |                                      | No.   | No.                 | A-29296-1 |
| TYPE              | Submersible Sewage & Wastewater Pump | MODEL | TOS100CZ45.5 -51/61 |           |



| REQ. SPECIFICATION |  |
|--------------------|--|
|                    |  |
|                    |  |

| No. | DESCRIPTION       | Q'TY | MATERIAL / NOTE          | No. | DESCRIPTION     | Q'TY | MATERIAL / NOTE               |
|-----|-------------------|------|--------------------------|-----|-----------------|------|-------------------------------|
| 1   | Cabtyre Cable     | 1    | Chloroprene Sheath       | 52B | Lower Bearing   | 1    | 6309ZZC3                      |
| 6   | Stuffing Box      | 1    | Gray Iron Casting 200    | 53  | Motor Protector | 1    |                               |
| 20  | Pump Casing       | 1    | Gray Iron Casting 250    | 54  | Shaft           | 1    | 420J2 Stainless Steel         |
| 21  | Impeller          | 1    | Ductile Iron Casting 500 | 55  | Rotor           | 1    |                               |
| 22  | Suction Cover     | 1    | Ductile Iron Casting 500 | 56  | Stator          | 1    |                               |
| 25  | Mechanical Seal   | 1    | H-35A                    | 60  | Bearing Housing | 1    | Gray Iron Casting 200         |
| 26  | Oil Seal          | 1    | TC608212                 | 64  | Motor Frame     | 1    | Gray Iron Casting 200         |
| 29  | Oil Casing        | 1    | Gray Iron Casting 250    | 72  | Eyebolt         | 2    | 304 Stainless Steel           |
| 30  | Oil Lifter        | 1    | Plastic                  | 91  | Duck Foot Bend  | 1    | Gray Iron Casting 200         |
| 35  | Oil Plug          | 2    | 304 Stainless Steel      | 92  | Guide Pipe      | 2    | Galvanized Steel Pipe(Oprion) |
| 36  | Lubricant         |      | Turbine Oil (ISO VG32)   | 93  | Guide Hook      | 1    | Ductile Iron Casting 450      |
| 46  | Air Release Valve | 1    | Nylon                    | 94  | Guide Support   | 1    | 304 Stainless Steel           |
| 48  | Screwed Flange    | 1    | Gray Iron Casting 200    | 95  | Chain           | 1    | Structure Steel 400,5n        |
| 50  | Motor Bracket     | 1    | Gray Iron Casting 200    |     |                 |      |                               |
| 52A | Upper Bearing     | 1    | 6305ZZC3                 |     |                 |      |                               |

No. A-29290-1

# PUMP PERFORMANCE CURVES

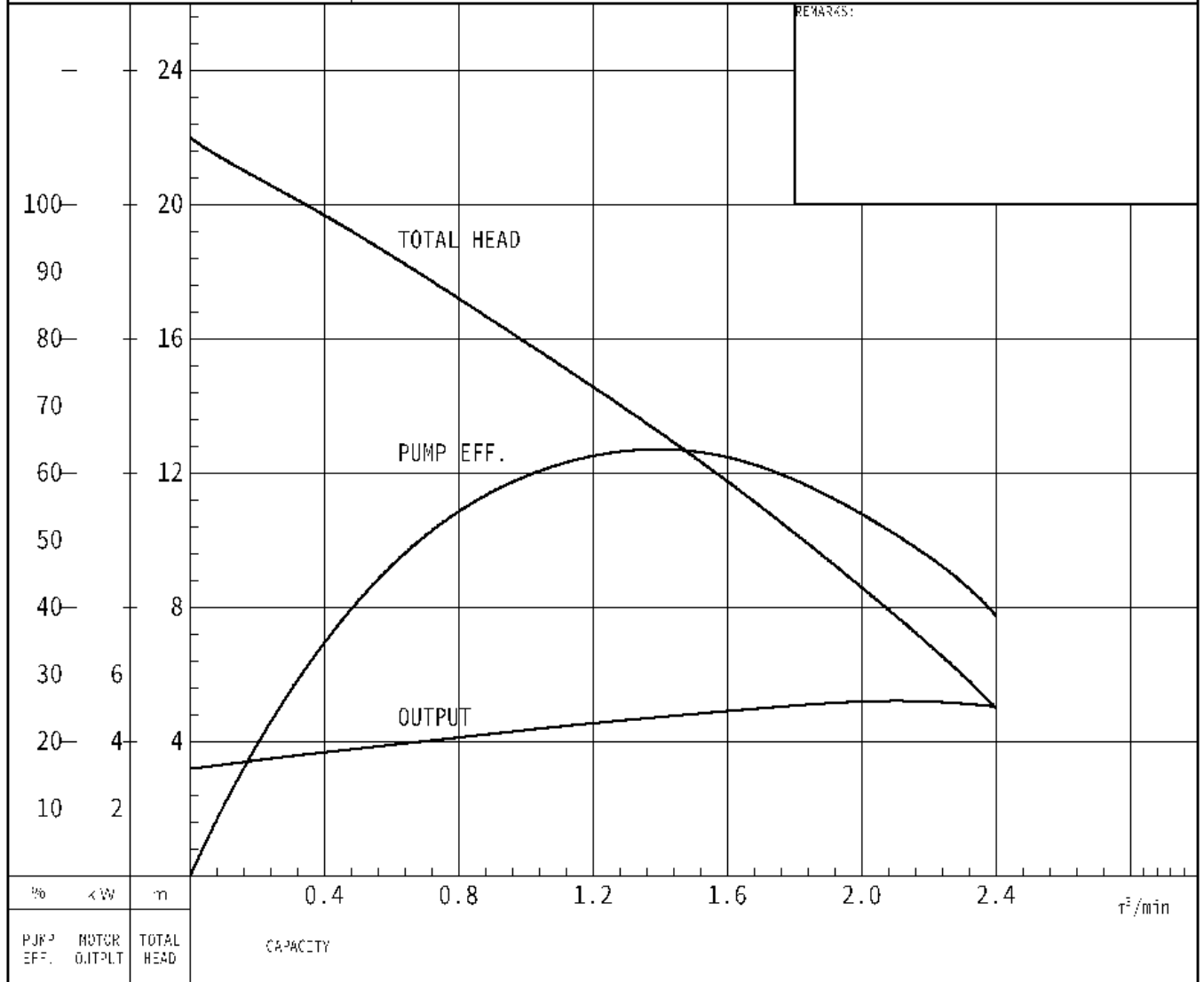
|   |  |                           |
|---|--|---------------------------|
| <b>TYPE</b> Submersible<br>Sewage & Wastewater Pump | <b>MODEL</b> 100CZ45.5 -61<br>TOS100CZ45.5 -61 | <b>FREQUENCY</b><br>60 Hz |
|---|--|---------------------------|

CUSTOMER'S NAME \_\_\_\_\_

EQUIPMENT TITLE \_\_\_\_\_

No. \_\_\_\_\_

|                         | STANDARD SPECIFICATIONS          | REQUIRED SPECIFICATIONS |
|-------------------------|----------------------------------|-------------------------|
| DISCHARGE BORE          | 100 mm                           | mm                      |
| TOTAL HEAD              | MAX. 22 m                        | m                       |
| CAPACITY                | MAX. 2.4 m <sup>3</sup> /min     | m <sup>3</sup> /min     |
| MOTOR OUTPUT            | 5.5 kw                           | kw                      |
| PHASE × VOLTAGE         | 3 φ × V                          | φ × V                   |
| CURRENT                 | A                                | A                       |
| POLES SPEED OF ROTATION | 4 P / S.S.1800 min <sup>-1</sup> | P / min <sup>-1</sup>   |
| STARTING METHOD         | DIRECT ON LINE                   |                         |
| INSULATION CLASS        | F                                |                         |



TSURUMI MFG. CO., LTD.