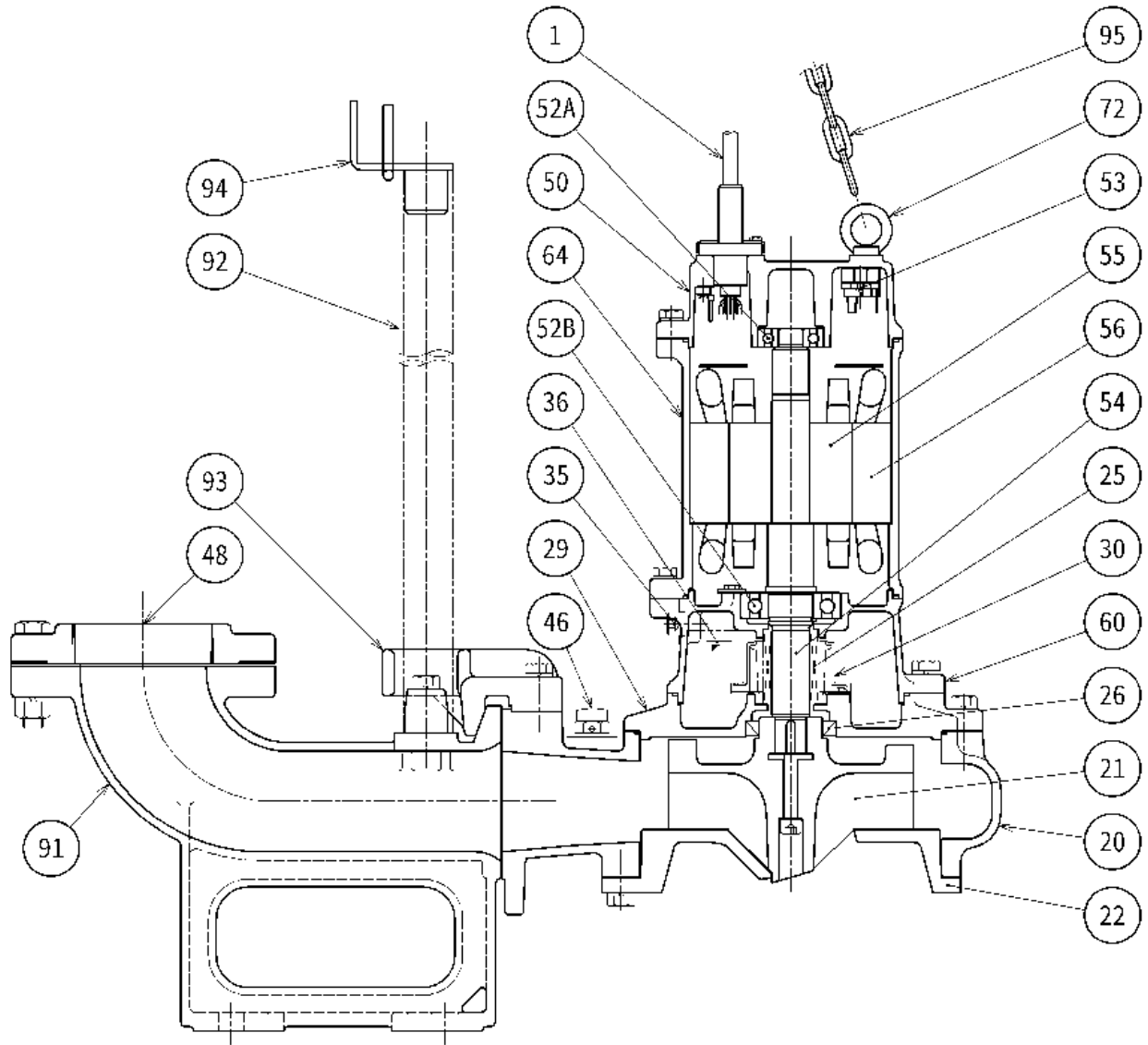


SECTIONAL DRAWING		No.	No.	A-28159-2
TYPE	Submersible Sewage & Wastewater Pump	MODEL	TOS100CZ42.2 -51/61 TOS100CZ43.7 -51/61	



			REQ. SPECIFICATION				
	2.2kW	3.7kW					
∴1	H-30A	H-35A					
※2	6307ZZC3	6309ZZC3					
No.	DESCRIPTION	Q'TY	MATERIAL / NOTE	No.	DESCRIPTION	Q'TY	MATERIAL / NOTE
1	Cable	1	PVC Sheath	53	Motor Protector	1	
20	Pump Casing	1	Gray Iron Casting 250	54	Shaft	1	420J2 Stainless Steel
21	Impeller	1	Ductile Iron Casting 500	55	Rotor	1	
22	Suction Cover	1	Ductile Iron Casting 500	56	Stator	1	
25	Mechanical Seal	1	※1	60	Bearing Housing	1	Gray Iron Casting 200
26	Oil Seal	1	TC507212	64	Motor Frame	1	Gray Iron Casting 200
29	Oil Casing	1	Gray Iron Casting 250	72	Eyebolt	2	304 Stainless Steel
30	Oil Lifter	1	Plastic	91	Duck Foot Bend	1	Gray Iron Casting 200
35	Oil Plug	1	304 Stainless Steel	92	Guide Pipe	2	Galvanized Steel Pipe(Optional)
36	Lubricant		Turbine Oil (ISO VG32)	93	Guide Hook	1	Ductile Iron Casting 450
46	Air Release Valve	1	Nylon	94	Guide Support	1	304 Stainless Steel
48	Scrowed Flange	1	Gray Iron Casting 200	95	Chain	1	Structure Steel 400,5n
50	Motor Bracket	1	Gray Iron Casting 200				
52A	Upper Bearing	1	6304ZZC3				
52B	Lower Bearing	1	※2				

No. A-28155-1

PUMP PERFORMANCE CURVES

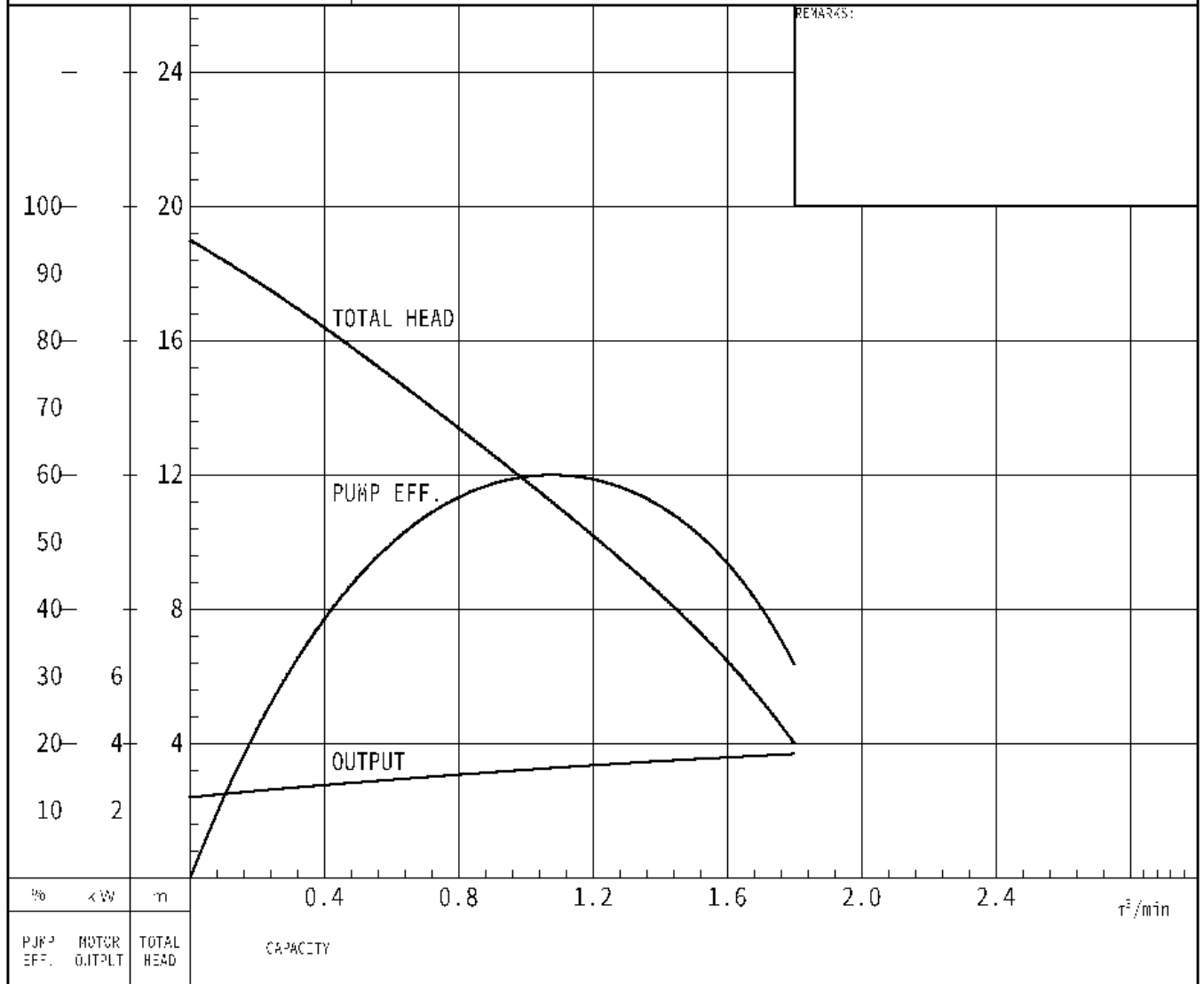
TYPE Submersible Sewage & Wastewater Pump	MODEL 100CZ43.7 -61 TOS100CZ43.7 -61	FREQUENCY 60 Hz
---	--	---------------------------

CUSTOMER'S NAME _____

EQUIPMENT TITLE _____

No. _____

	STANDARD SPECIFICATIONS	REQUIRED SPECIFICATIONS
DISCHARGE BORE	100 mm	mm
TOTAL HEAD	MAX. 19 m	m
CAPACITY	MAX. 1.8 m ³ /min	m ³ /min
MOTOR OUTPUT	3.7 kW	kW
PHASE × VOLTAGE	3 φ × V	φ × V
CURRENT	A	A
POLES SPEED OF ROTATION	4 P / S.S.1800 min ⁻¹	P / min ⁻¹
STARTING METHOD	DIRECT ON LINE	
INSULATION CLASS	F	



TSURUMI MFG. CO., LTD.